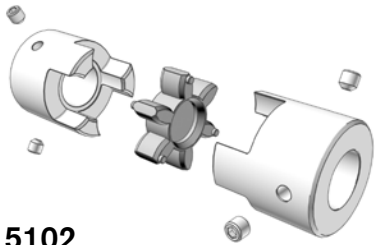
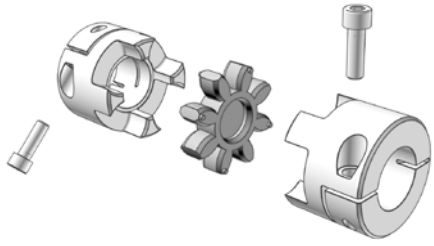

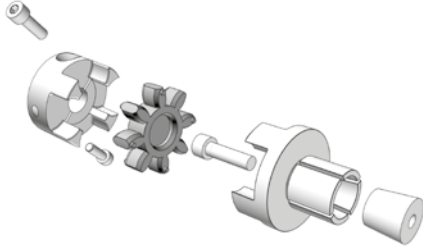
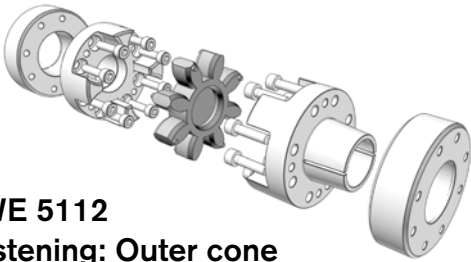
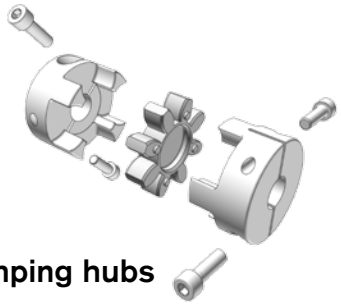
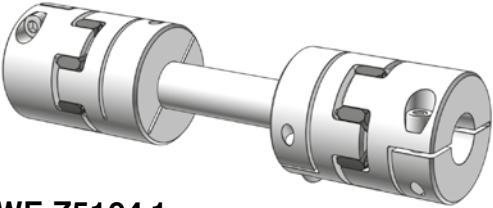
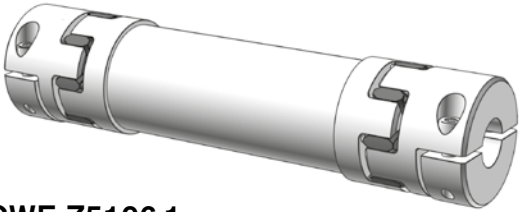


# Elastomer Jaw Couplings

## RINGFEDER® GWE

Assembly, Disassembly	
 <p><b>A</b> GWE 5102 Fastening: Radial set screw hubs</p>	 <p><b>B</b> GWE 5103, GWE 5103.1, GWE 5104 Fastening: Clamping hubs</p>
 <p><b>C</b> GWE 5106 Fastening: Split clamping hubs</p>	 <p><b>D</b> GWE 5107, GWE 5117 Fastening: Clamping hub/expanding mandrel</p>
 <p><b>E</b> GWE 5112 Fastening: Outer cone</p>	 <p><b>F</b> GWE 5113 Fastening: Clamping hubs</p>
 <p><b>G</b> GWE Z5104.1 Fastening: Clamping hubs</p>	 <p><b>H</b> GWE Z5106.1 Fastening: Split clamping hubs</p>

## Safety instructions

Rotating machine parts may injure operators and service staff!  
Therefore:

- Switch off the drive before assembly work.
- Safeguard the machine against accidental switch-on.
- Mount all covers and protection devices before switching on the machine.
- RINGFEDER® products may only be mounted by specialist staff and for suitable applications.

## Attention

- Please read these instructions through carefully.
- In the event of infringement of these notes all claims of liability will become void.
- RINGFEDER POWER TRANSMISSION reserves the right to technical changes to improve the product.
- RINGFEDER® Elastomer Jaw Couplings are accepted state of the art.

**If you experience problems or have any questions, our technical and service staff will be happy to assist you. See the reverse of these instructions for the corresponding contact information.**

## Used lubricants

Designation	CAS-Number (RoHS)
Vaseline	8009-03-8
Special grease RINGFEDER® FM15	

## Legend



Assembly



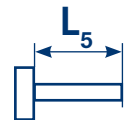
Disassembly



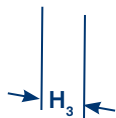
Cleaning



Lubricate with Vaseline (for easy mounting).



Length expanding mandrel



Installation length spider, Product Paper & Tech Paper "Elastomer Jaw Couplings"



Guided length/  
Clamping length



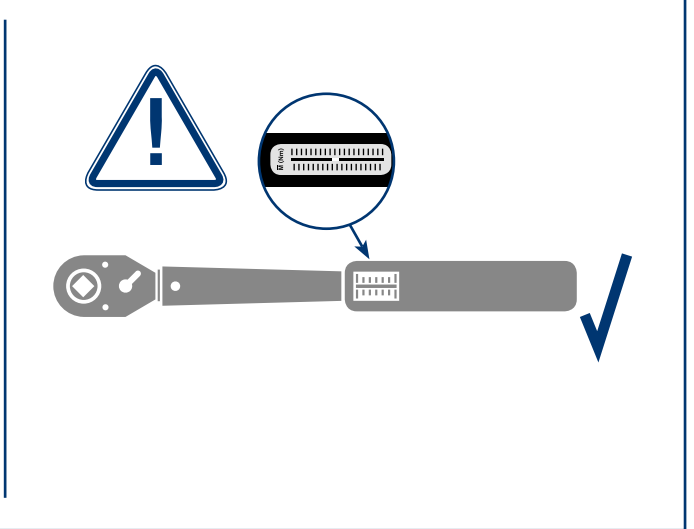
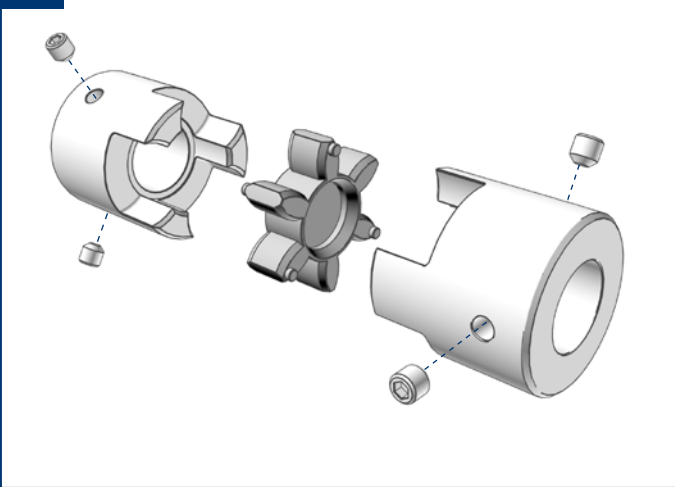
Attention!  
Absolutely observe!



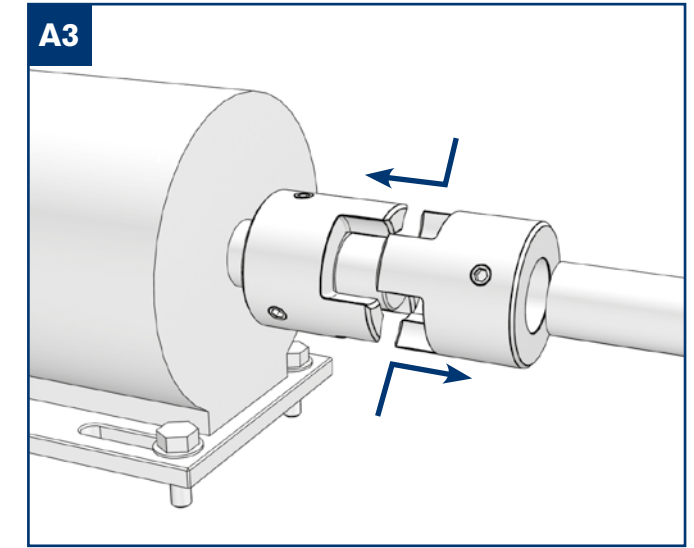
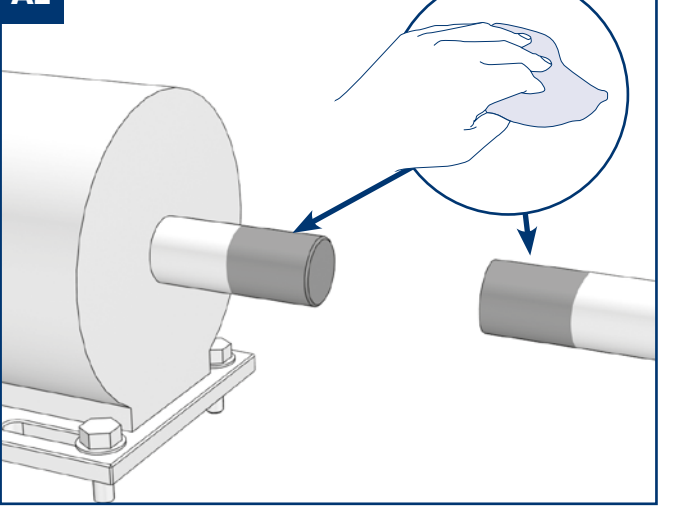
Valid data on the required tightening torque can be found in the Product Paper & Tech Paper "Elastomer Jaw Couplings" or on our website. Please check whether the machinery manufacturer has provided discrepant tightening torque values.



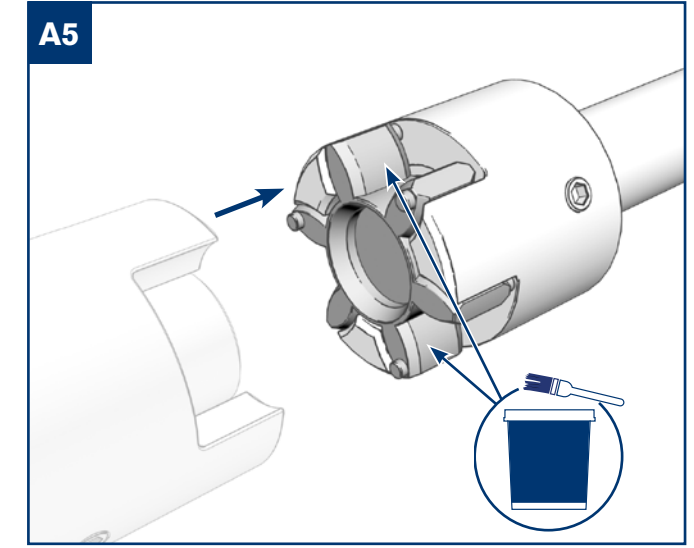
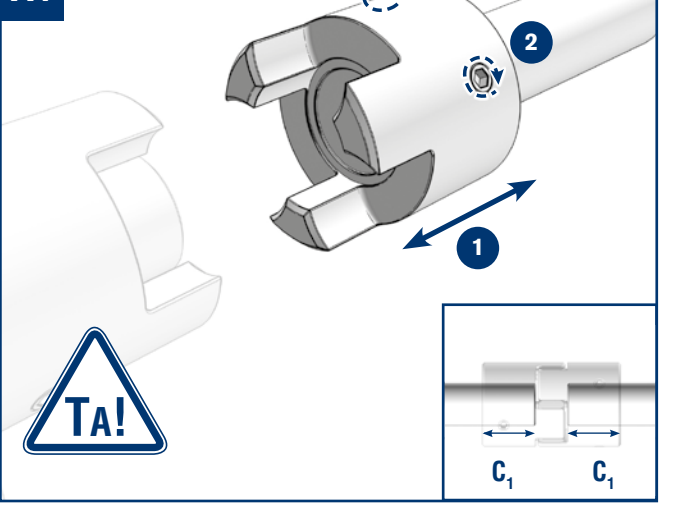
A1

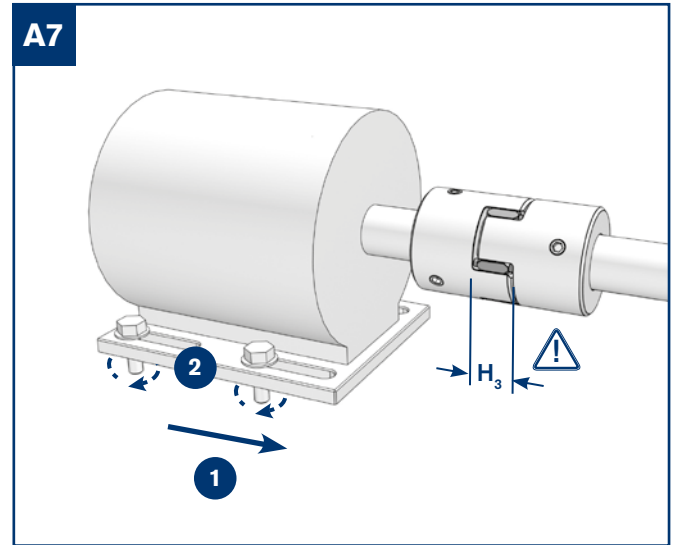
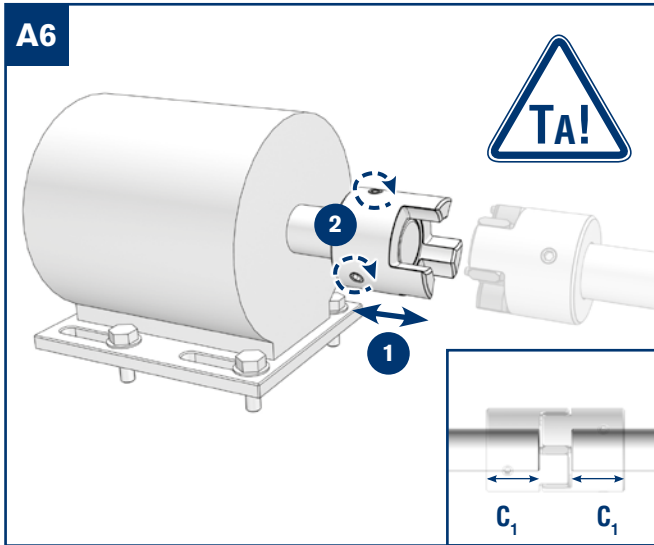


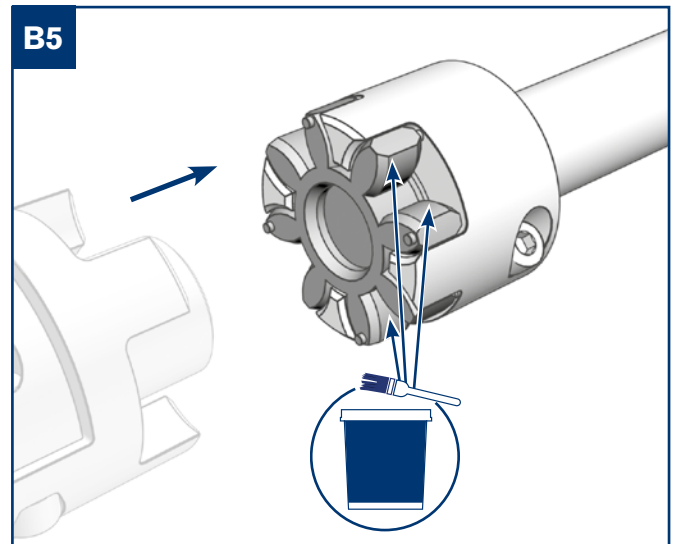
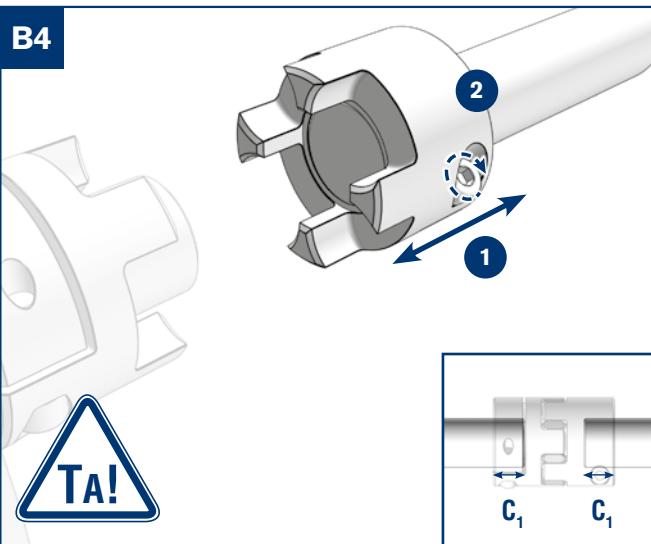
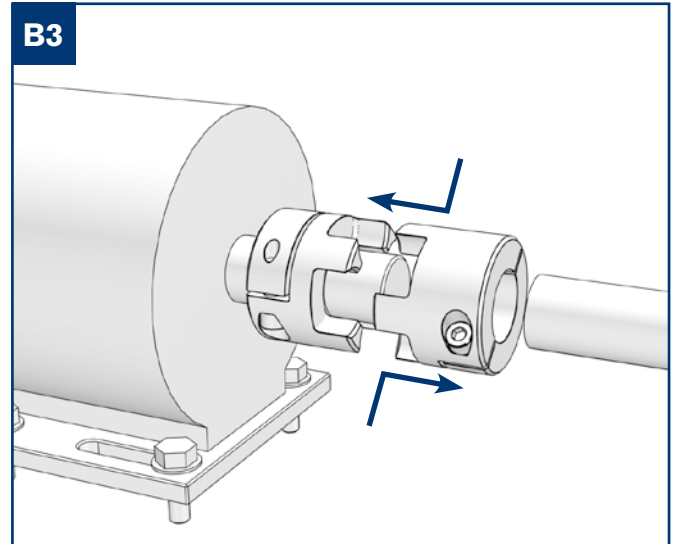
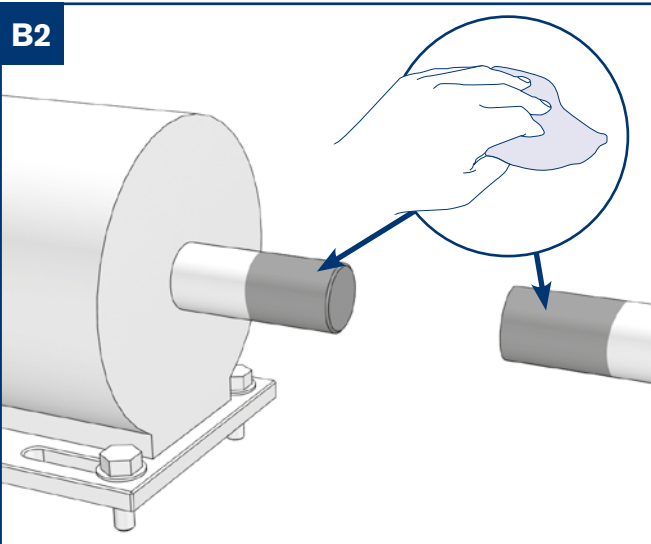
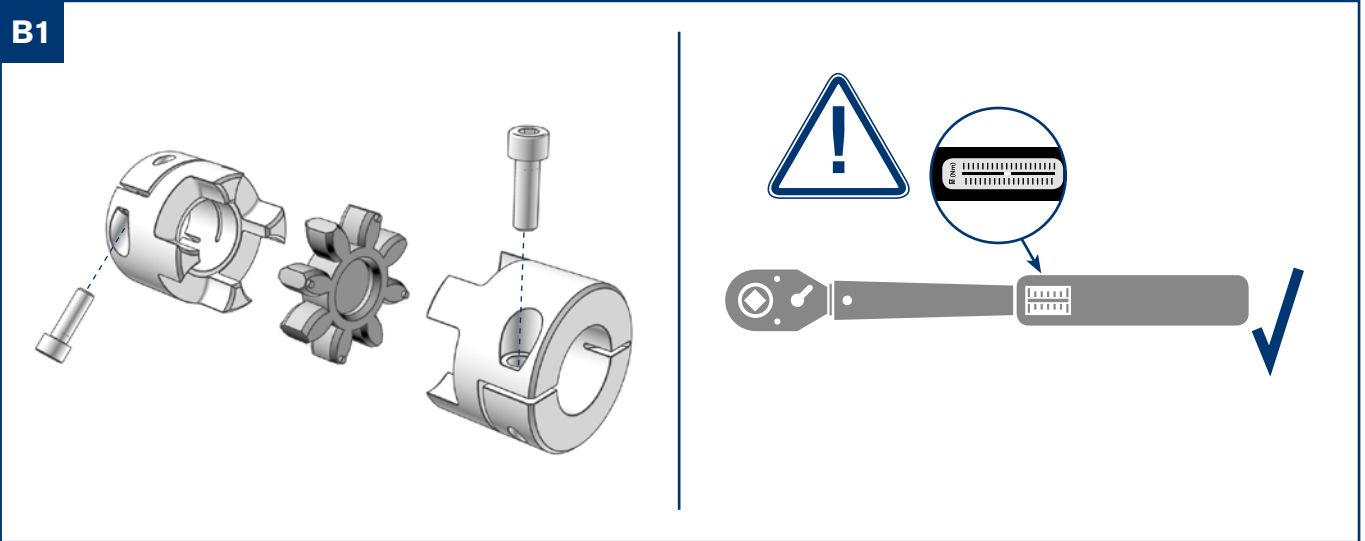
A2

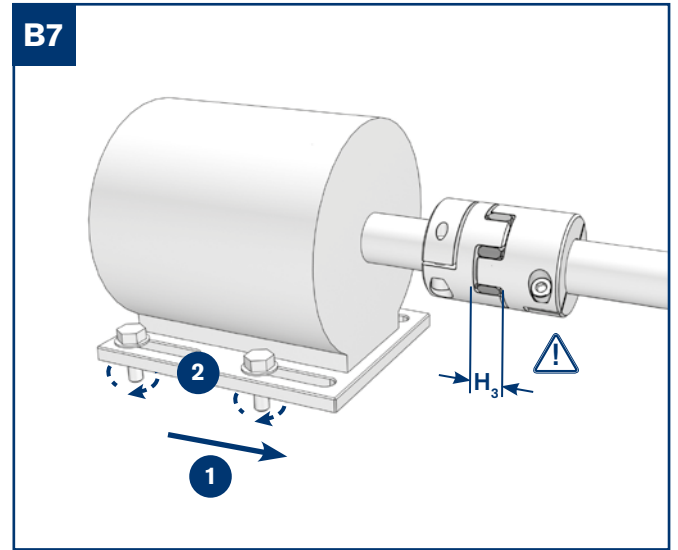
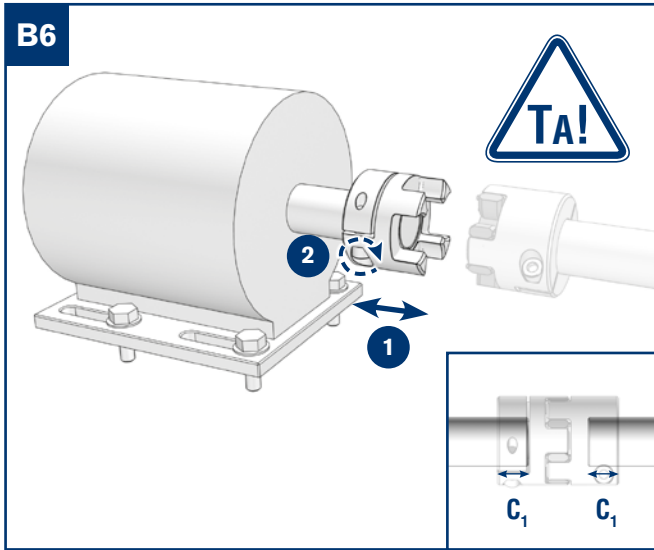


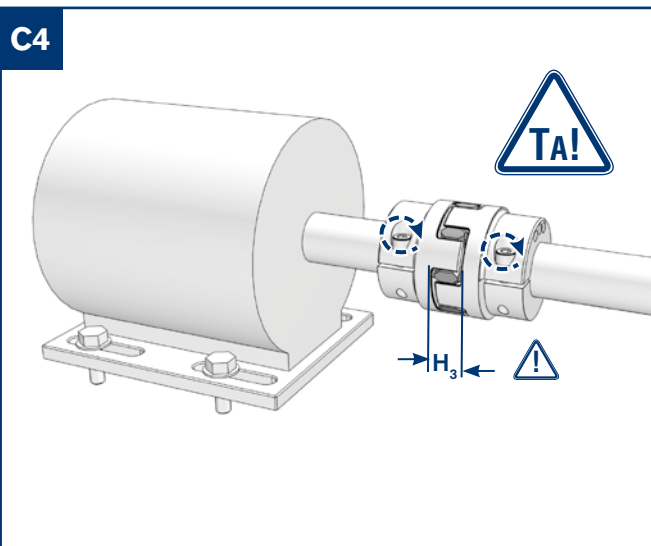
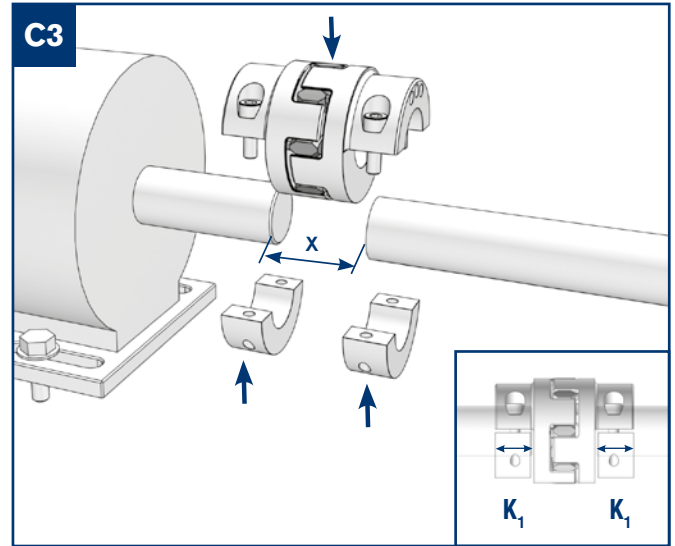
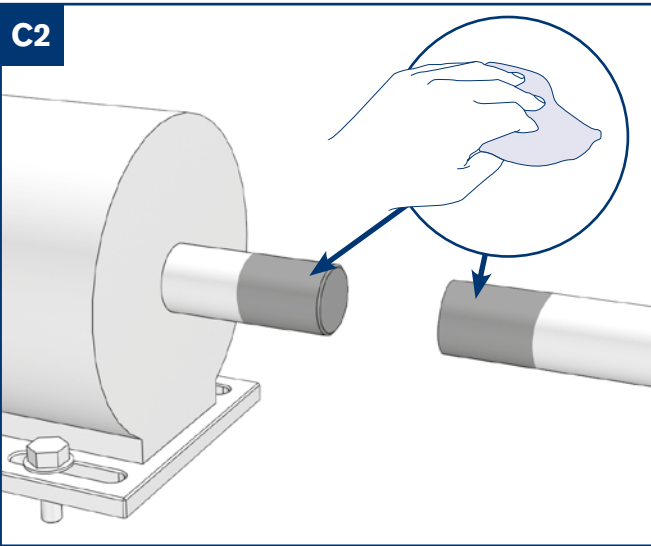
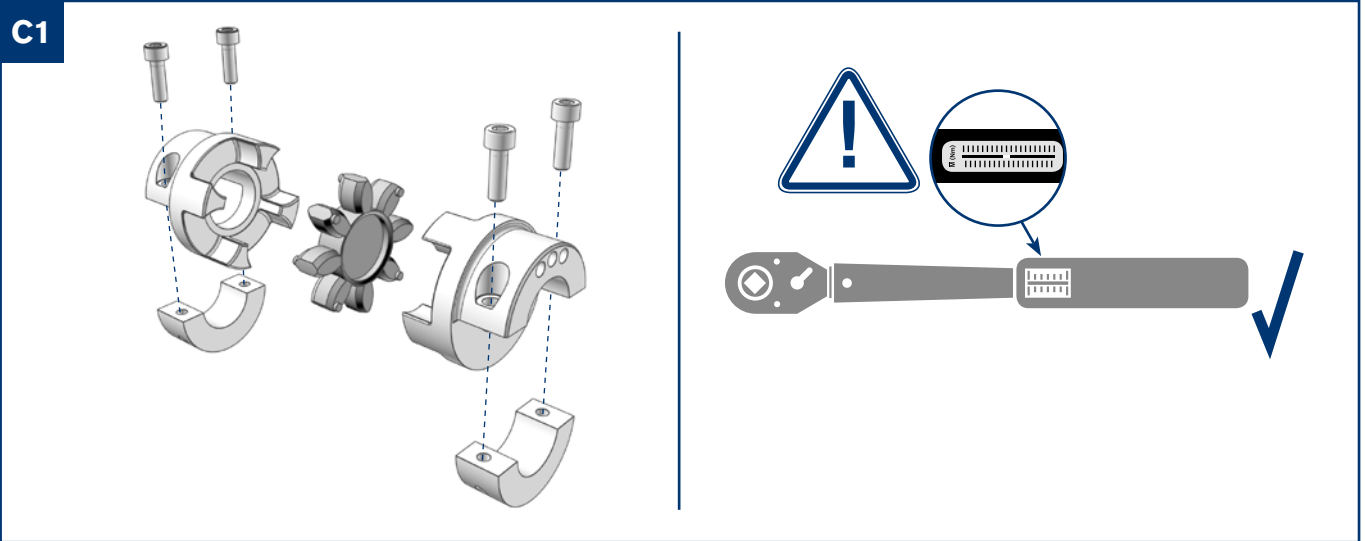
A4

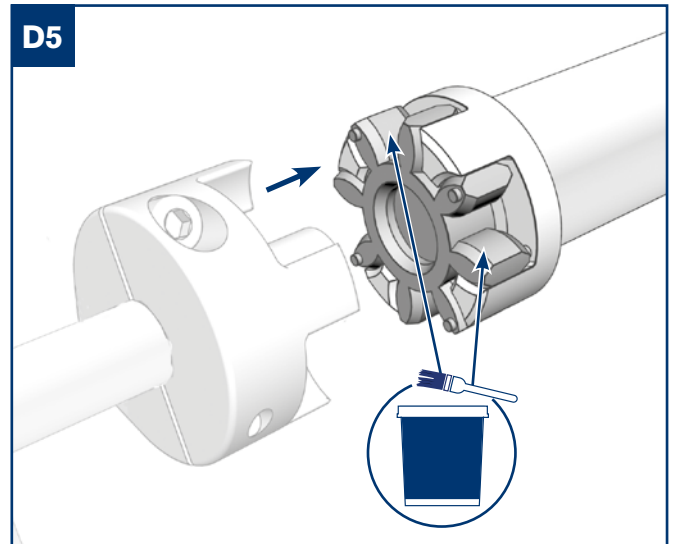
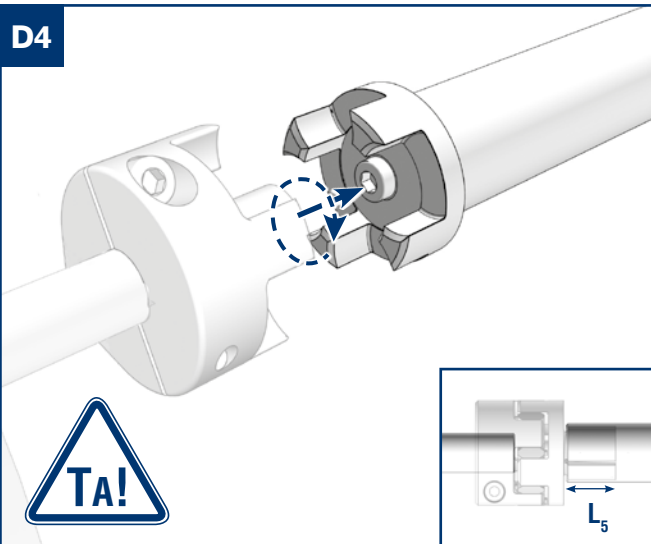
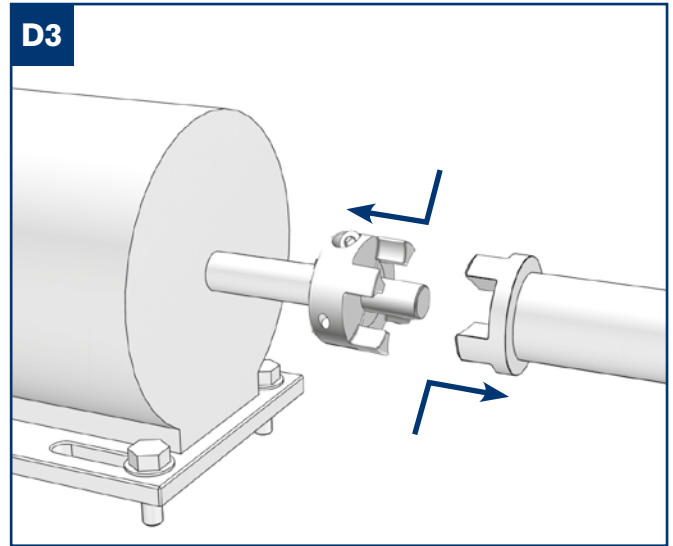
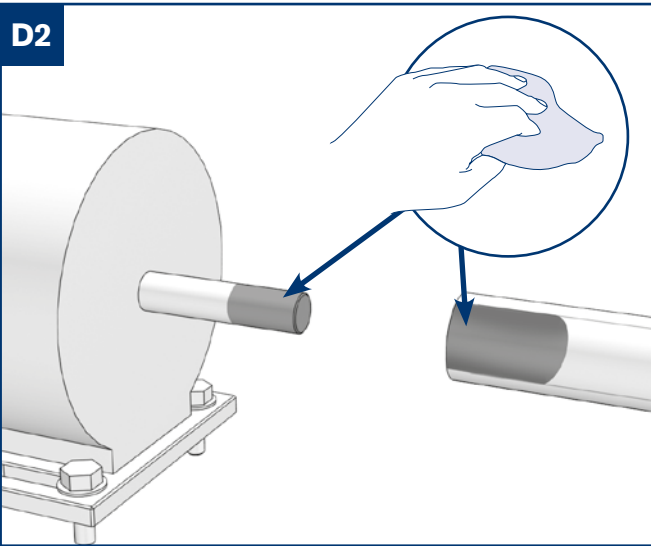
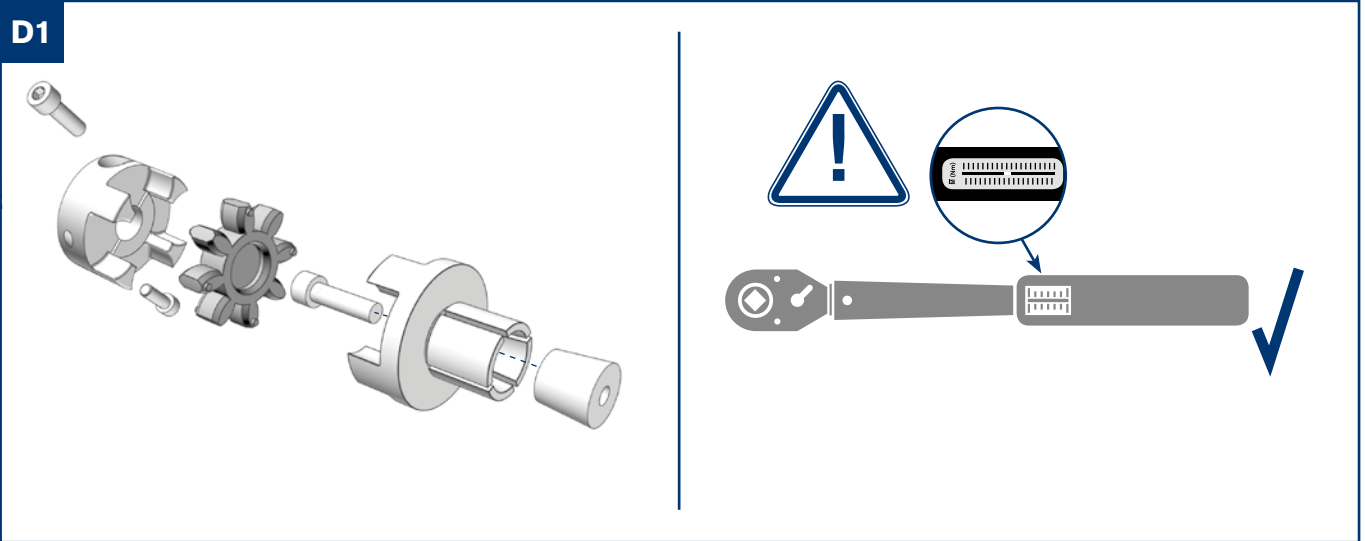




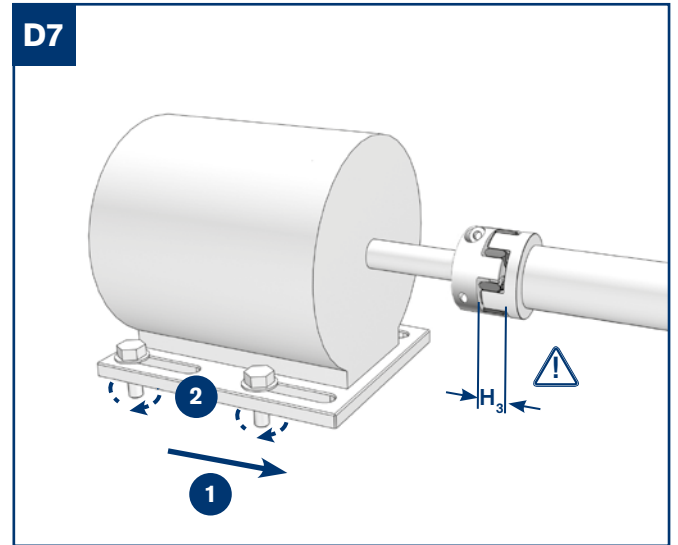
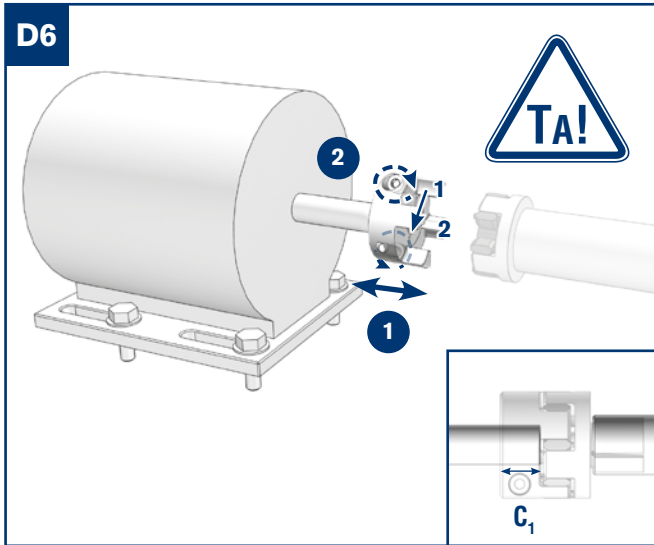








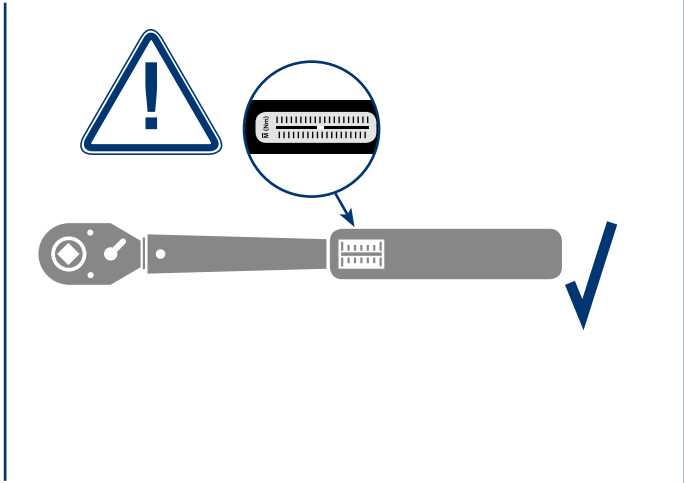
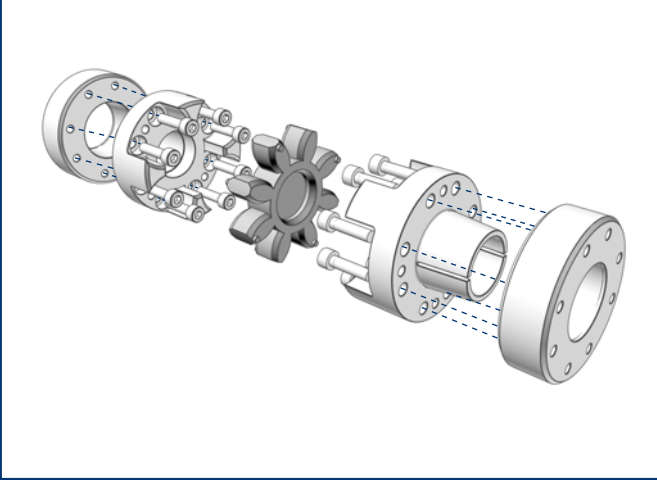




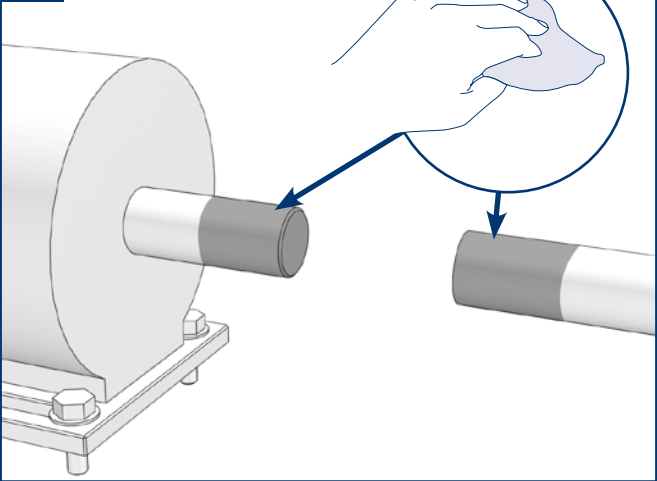
The clamping screws must be tightened alternately in stages. After five times assembly and disassembly, relubrication of the screws at the thread and screw head with special grease RINGFEDER® FM15 is necessary.



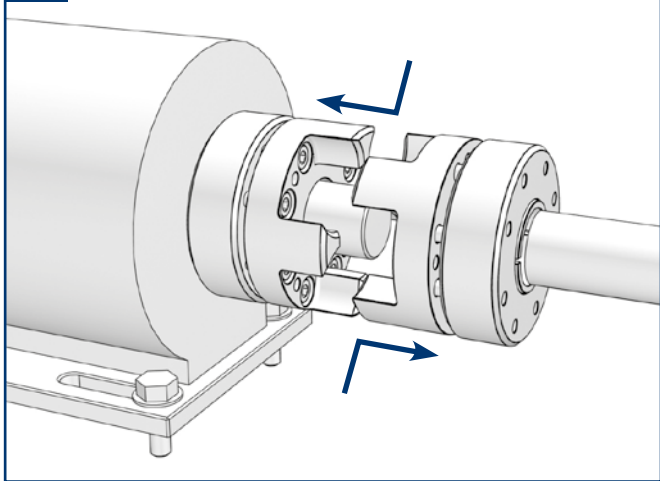
E1



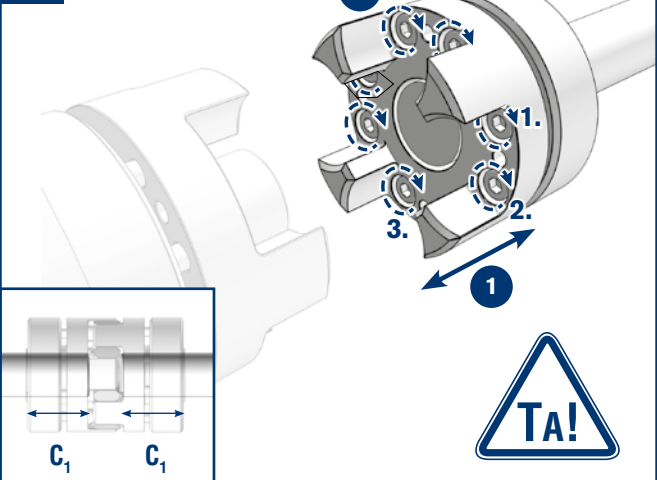
E2



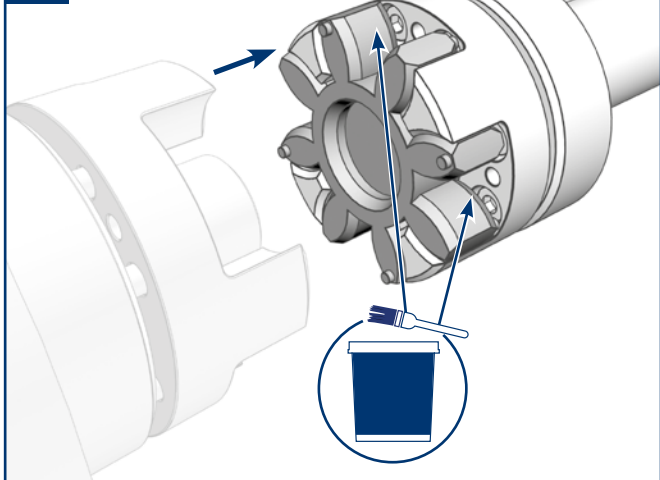
E3

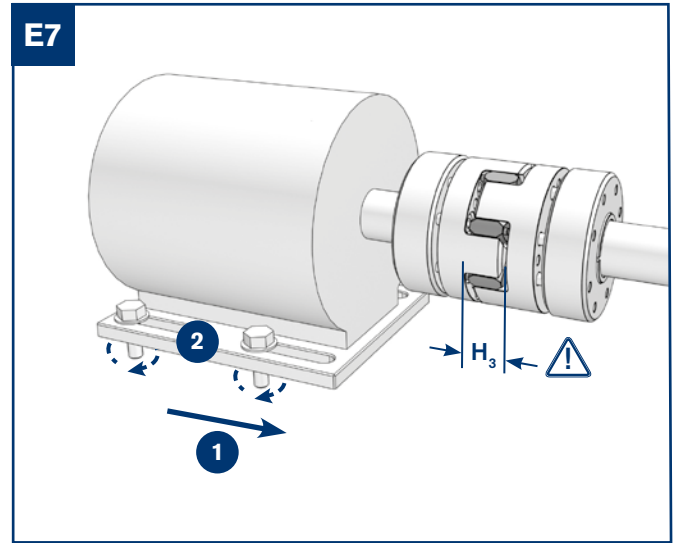
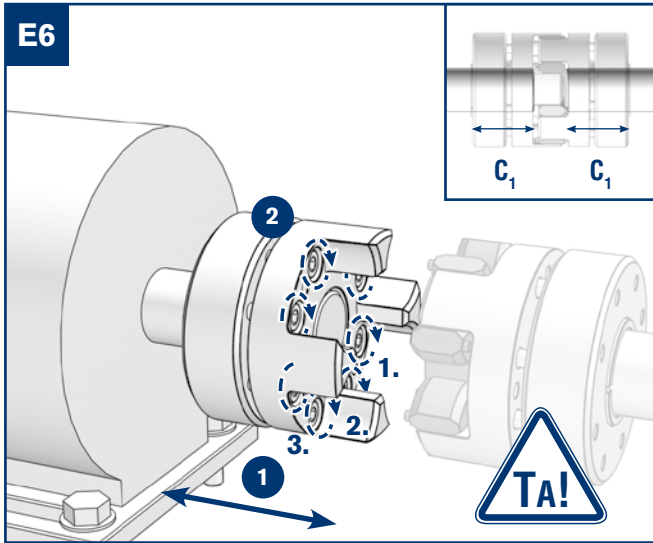


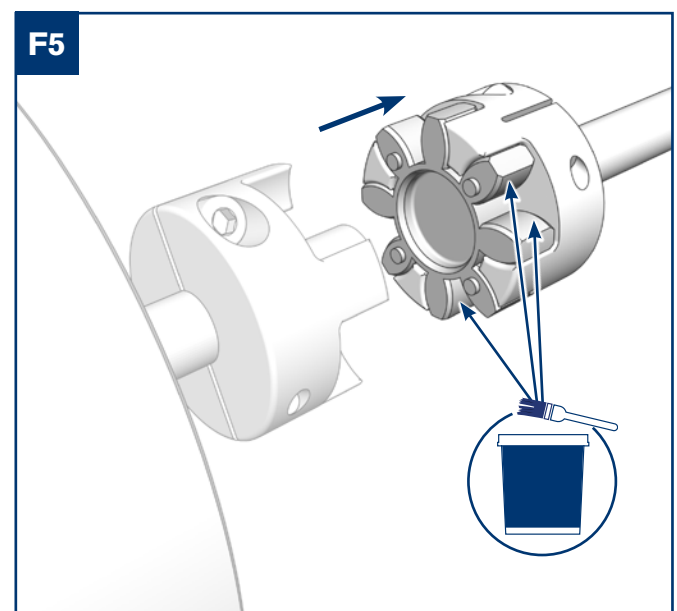
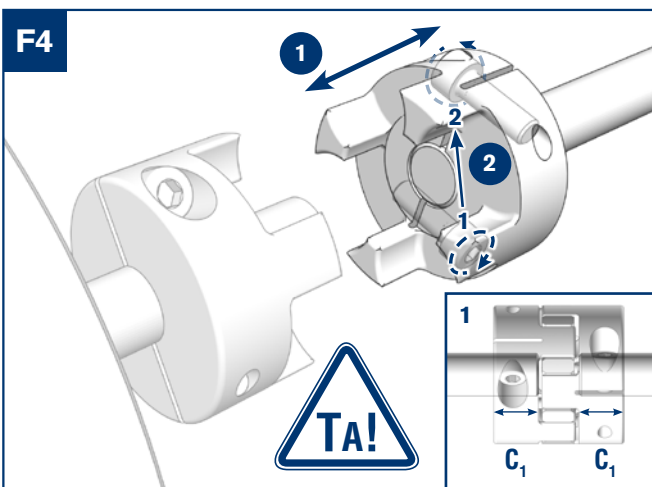
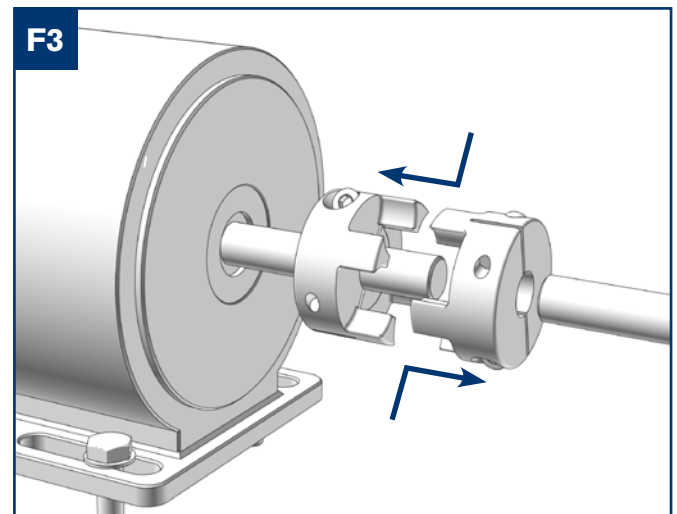
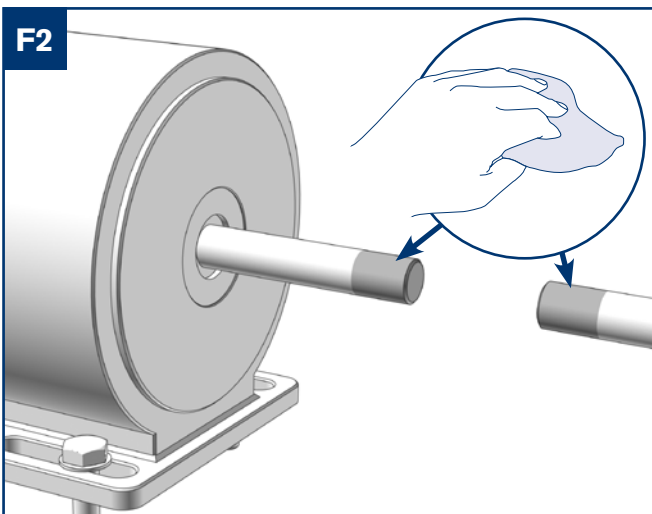
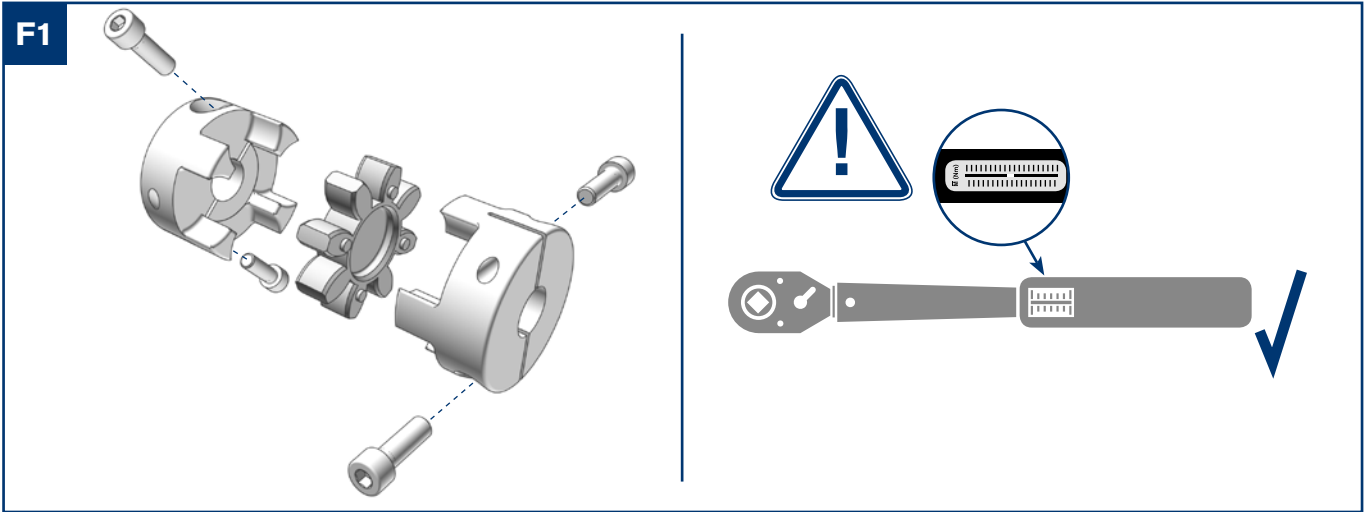
E4




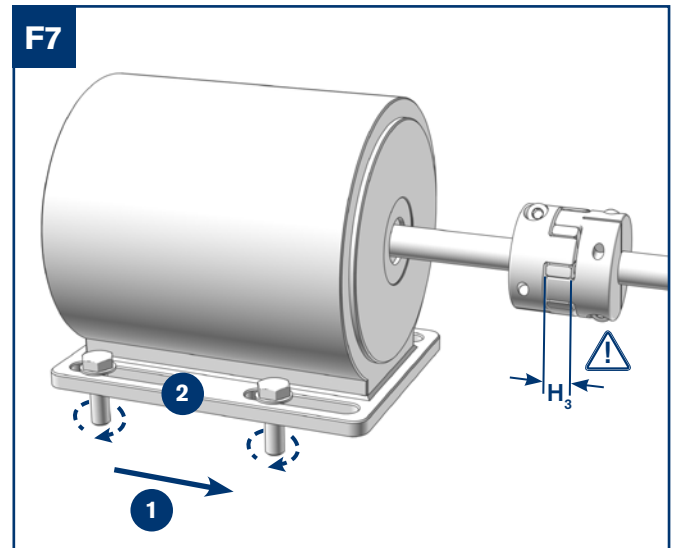
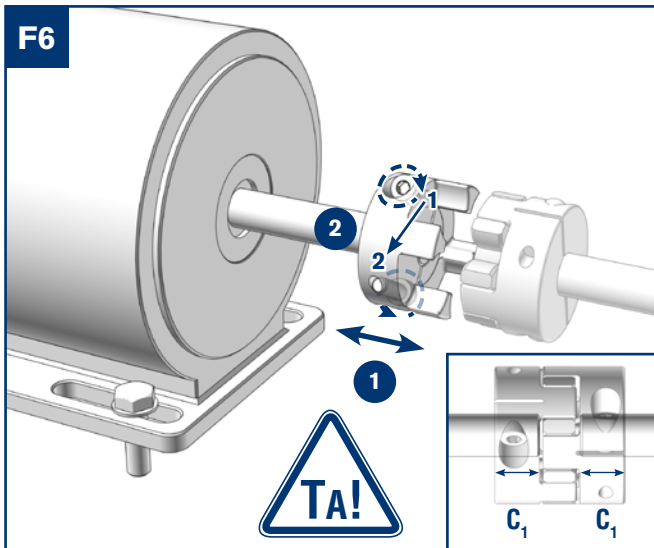
E5



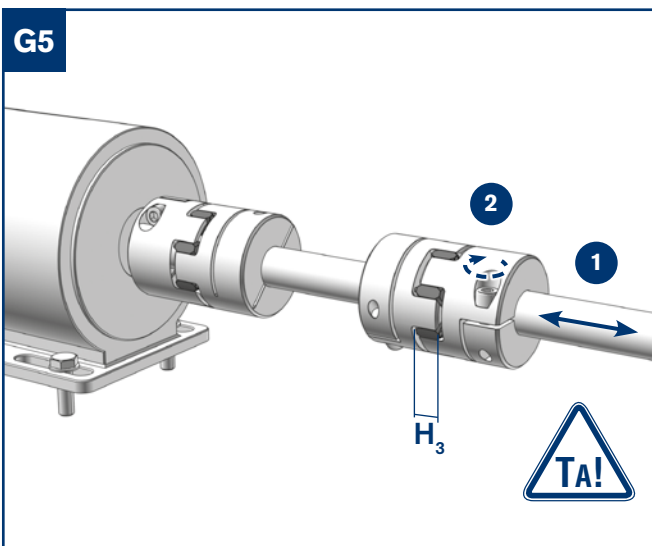
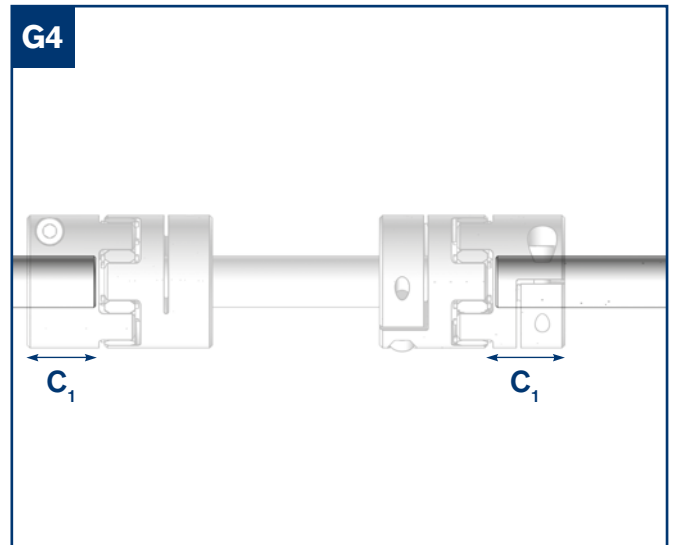
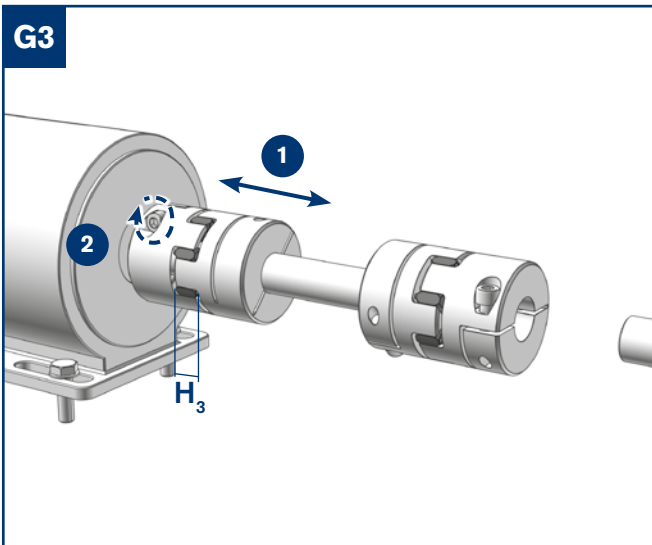
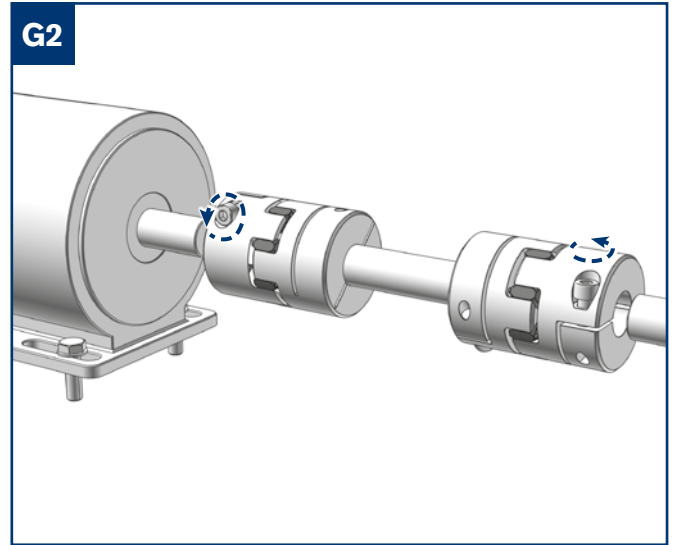
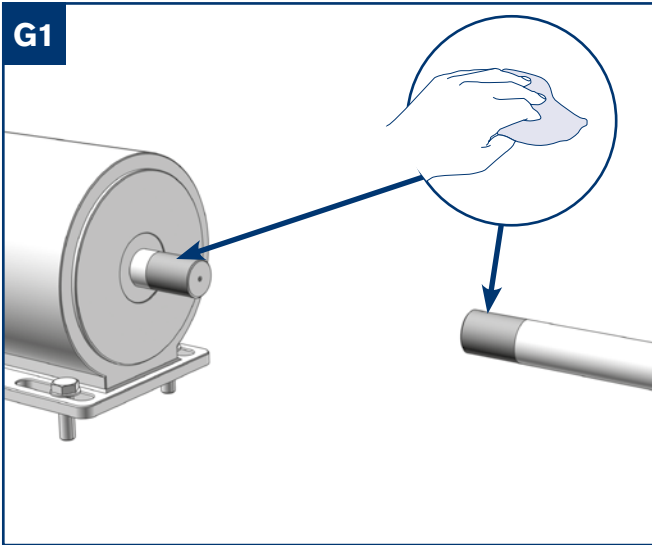


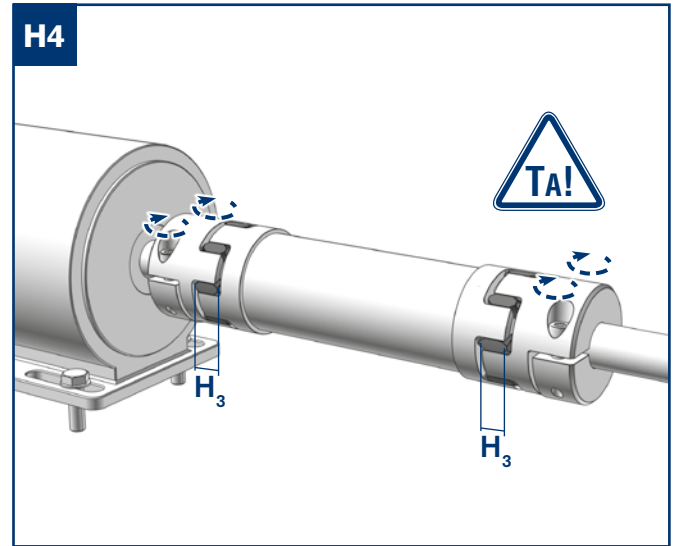
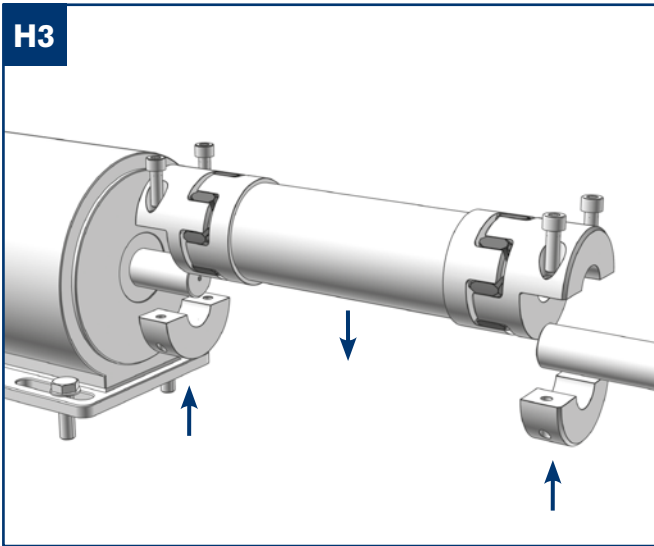
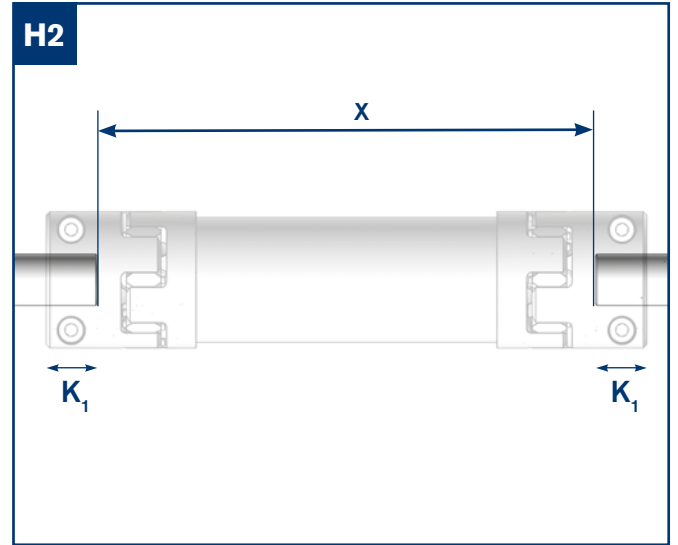
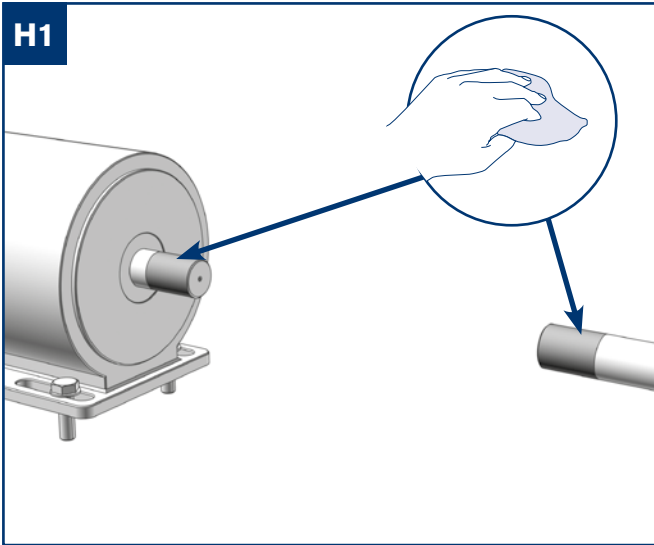


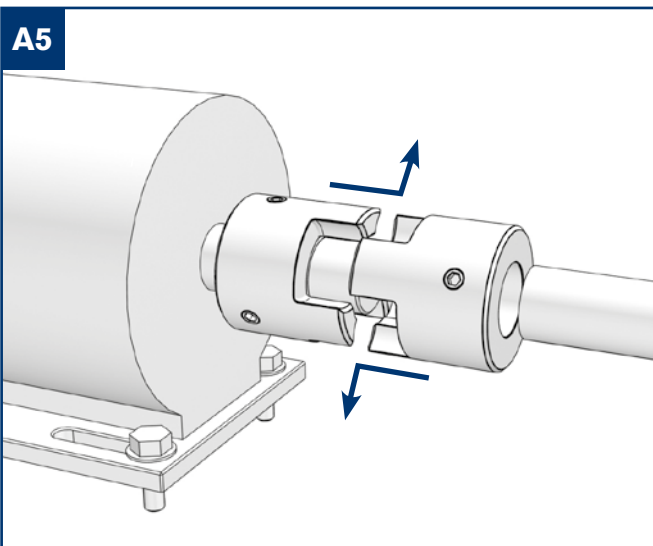
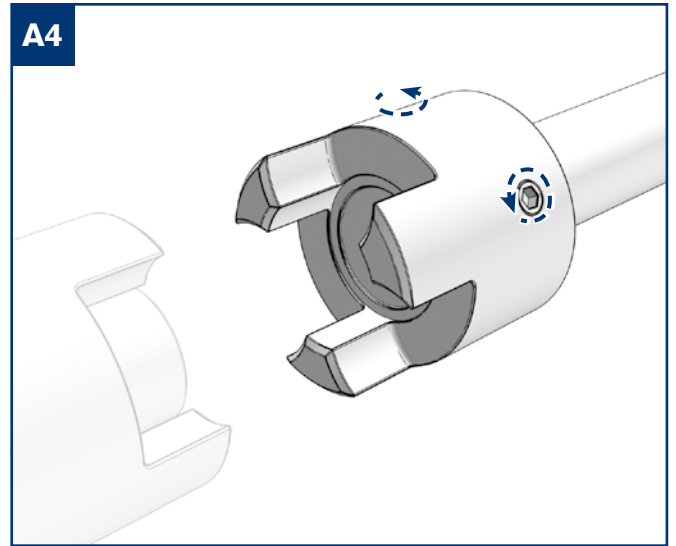
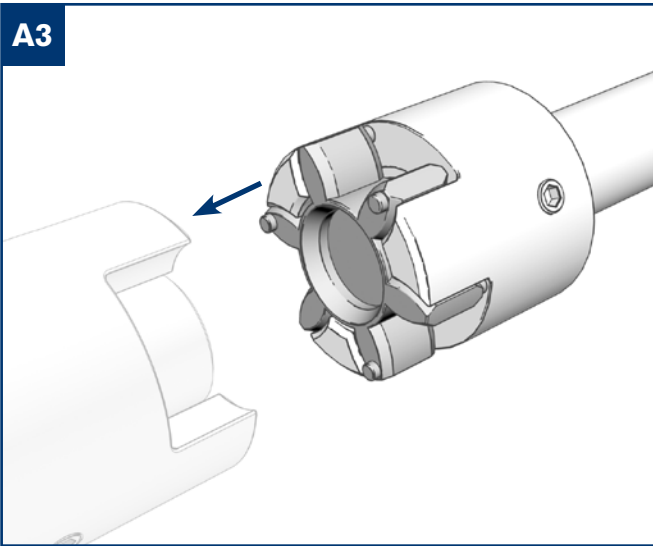
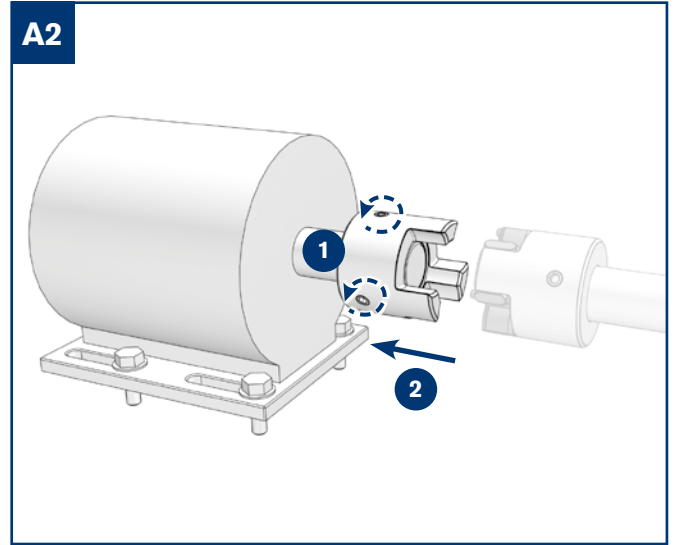
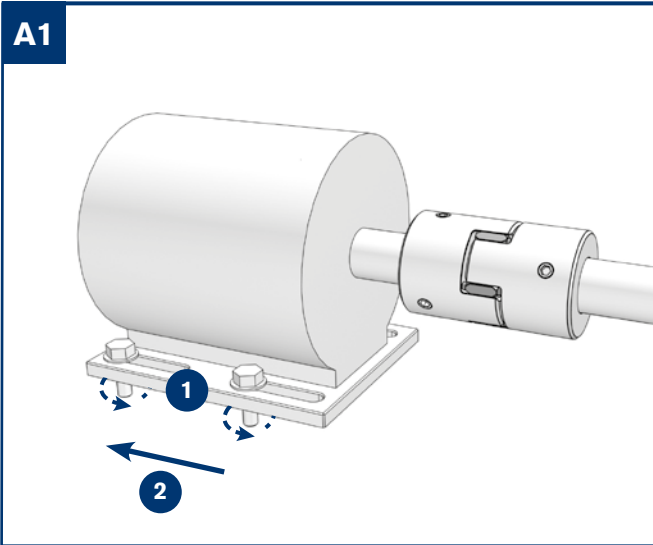
 The clamping screws must be tightened alternately in stages. After five times assembly and disassembly, relubrication of the screws at the thread and screw head with special grease RINGFEDER® FM15 is necessary.



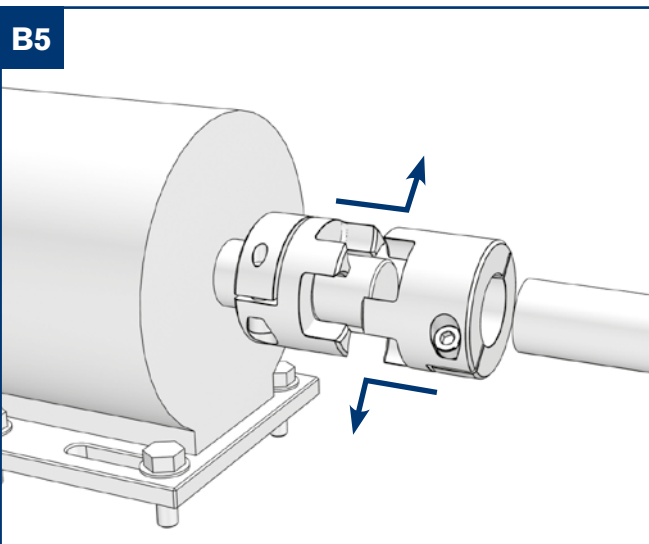
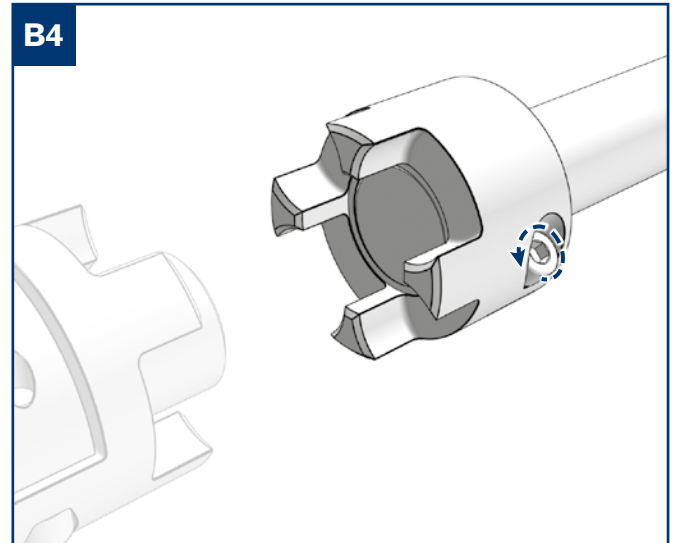
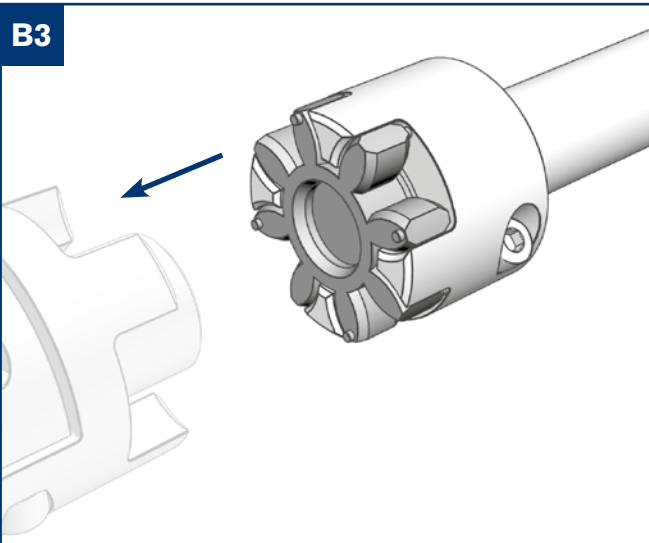
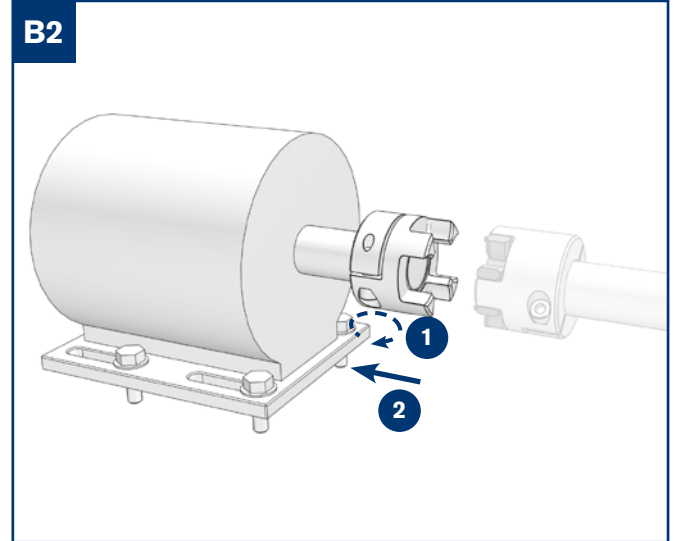
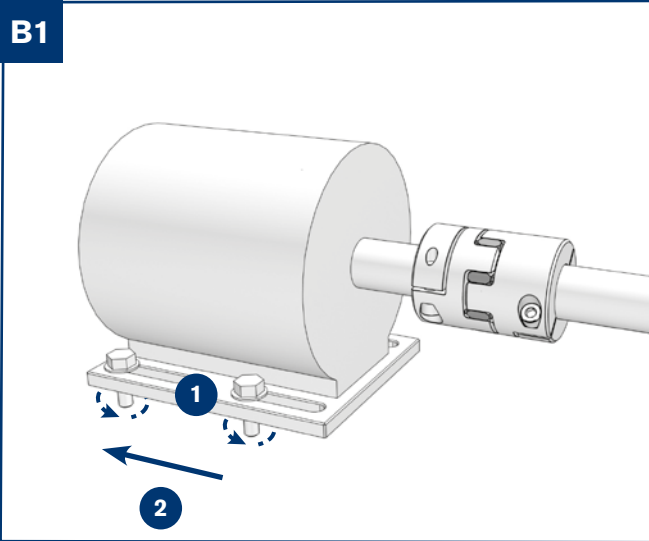
The clamping screws must be tightened alternately in stages. After five times assembly and disassembly, relubrication of the screws at the thread and screw head with special grease RINGFEDER® FM15 is necessary.

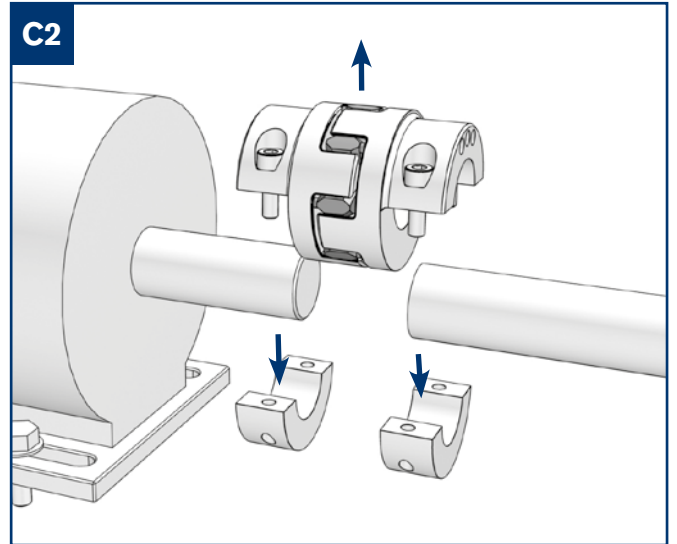
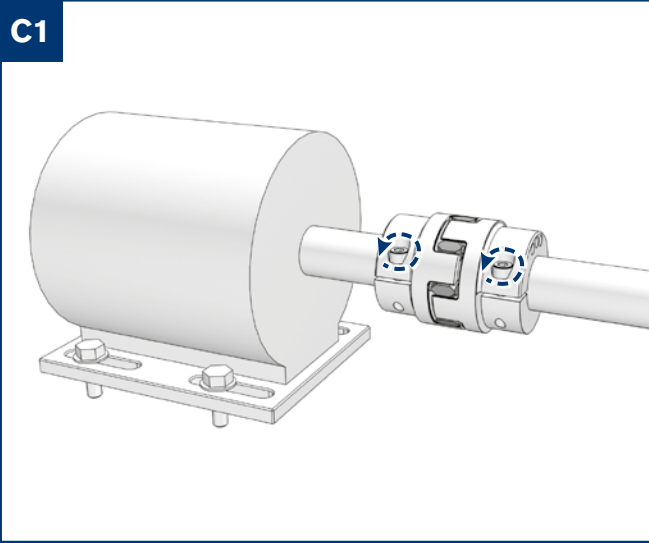


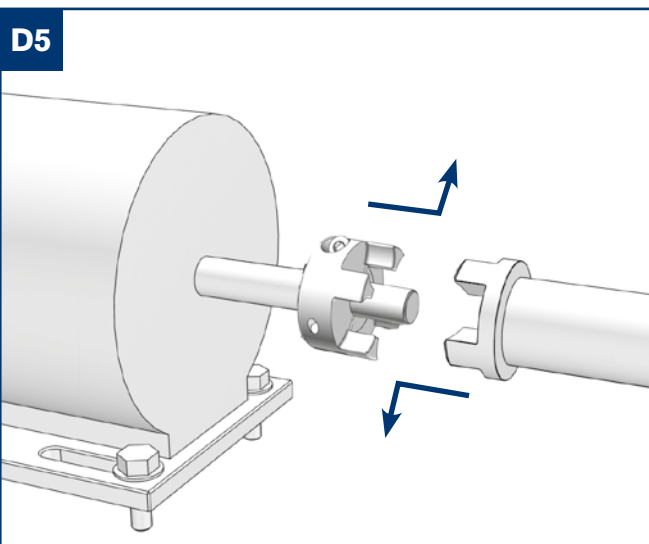
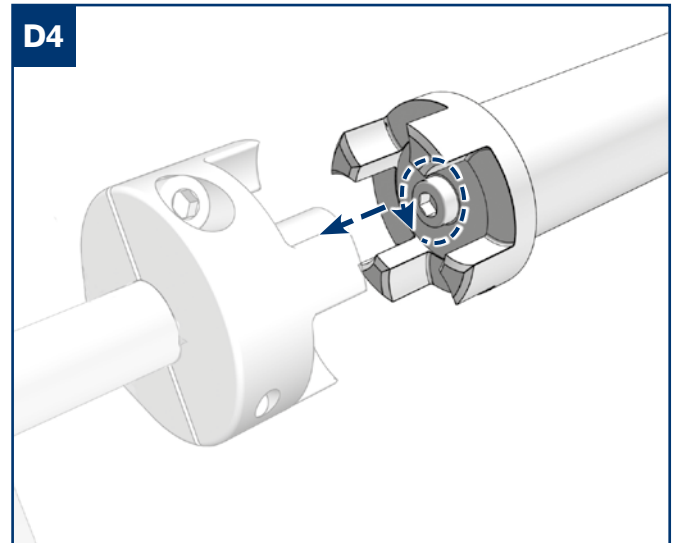
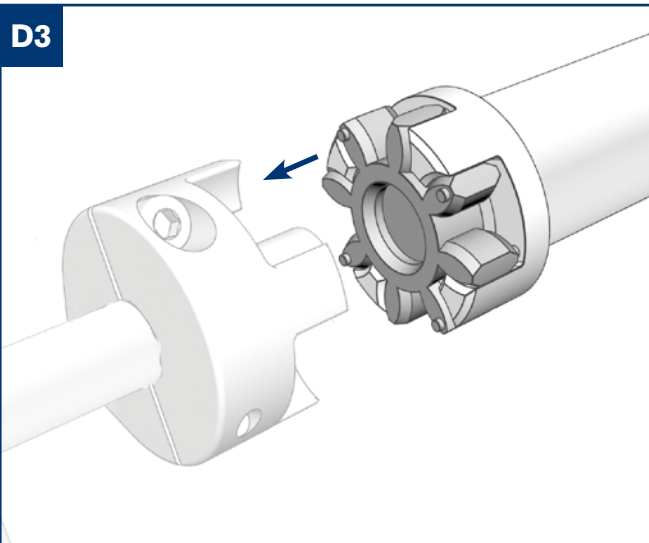
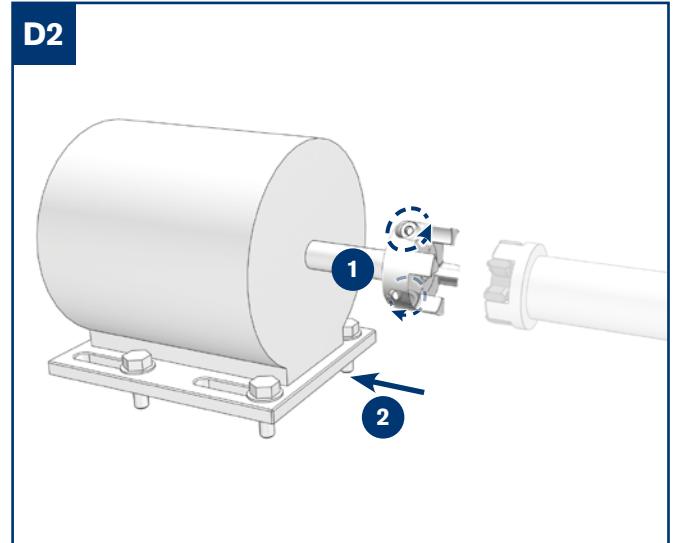
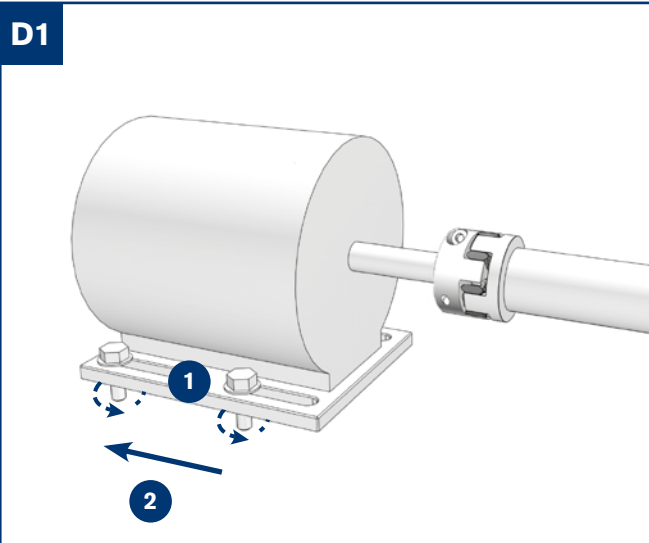


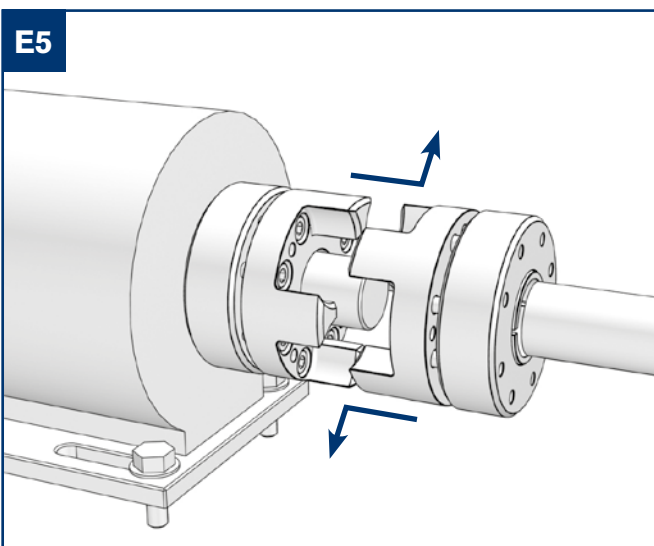
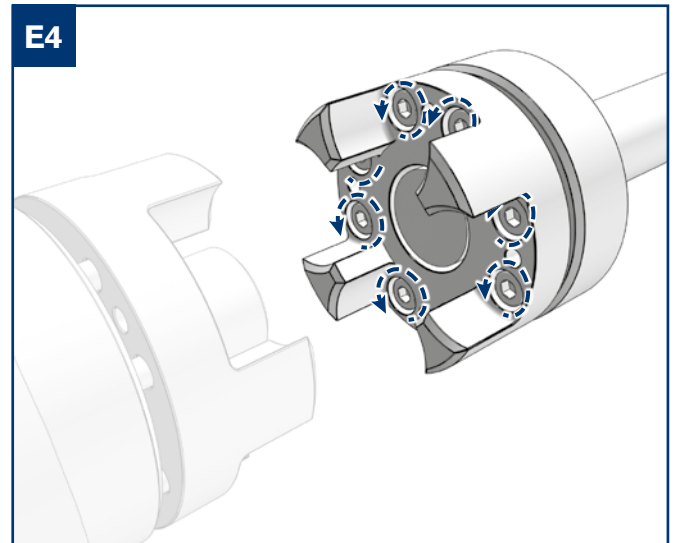
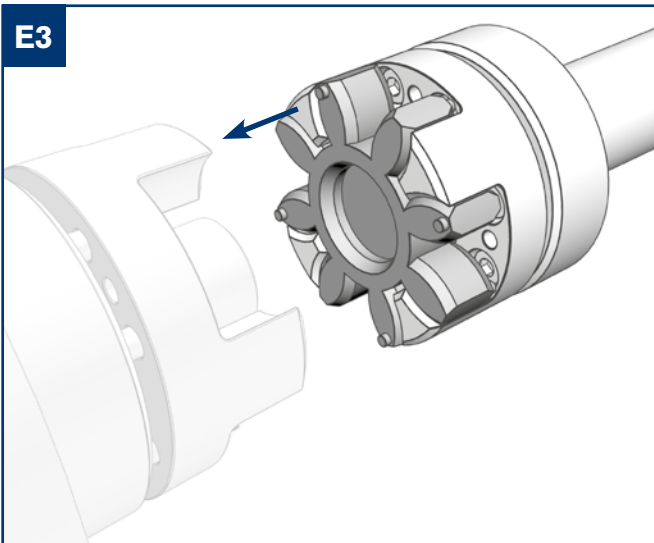
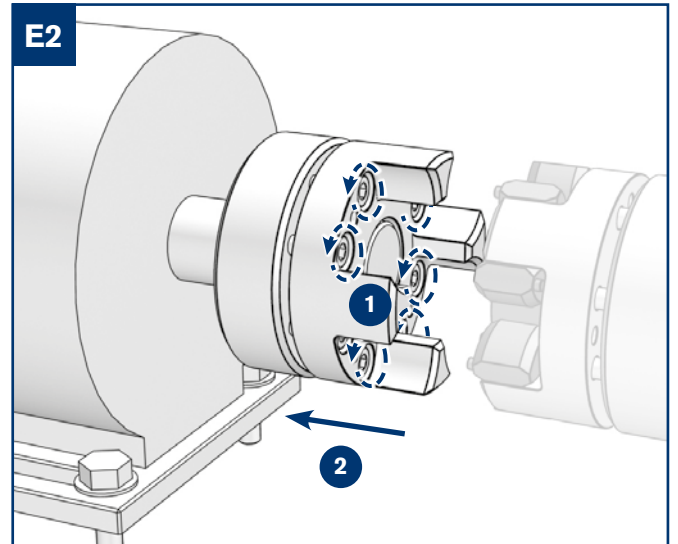
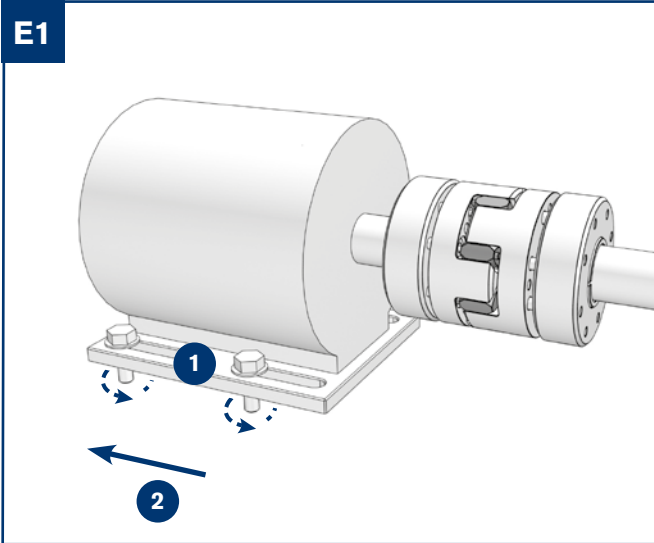


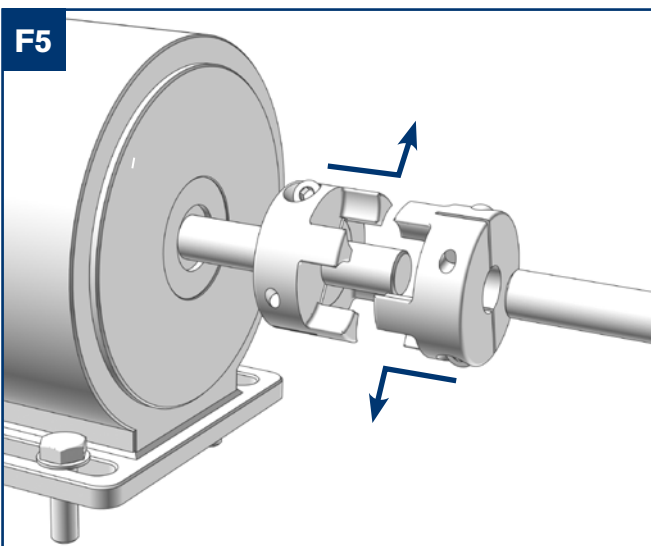
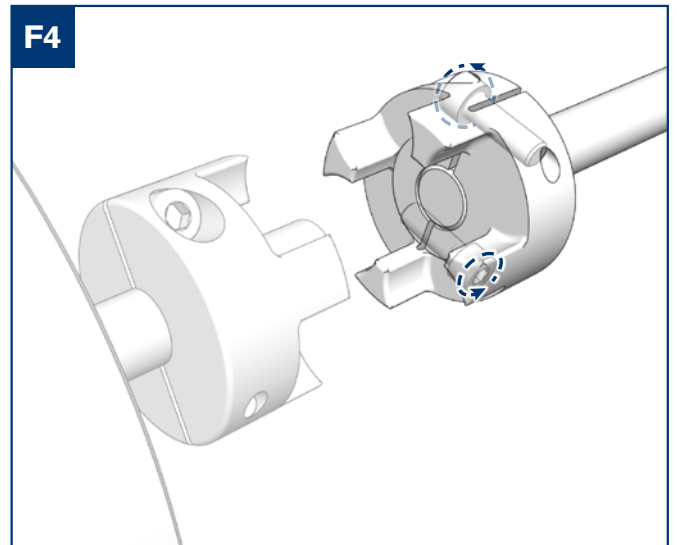
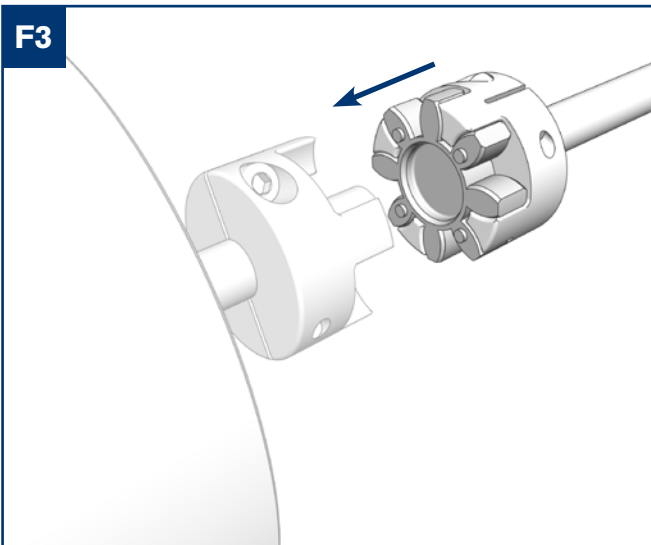
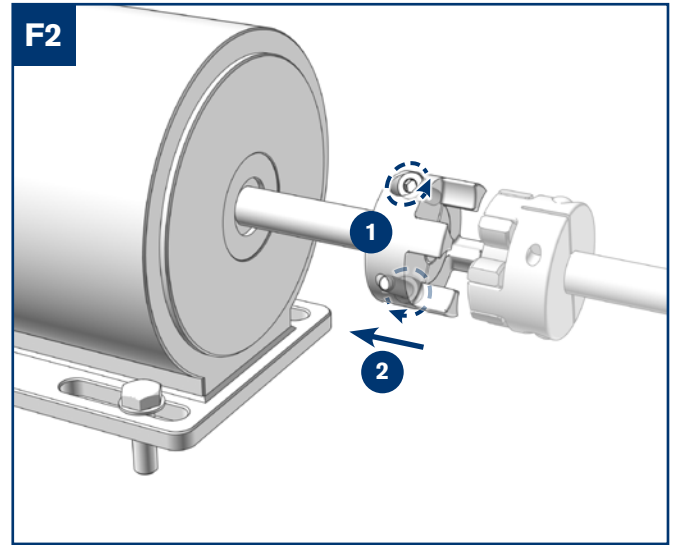
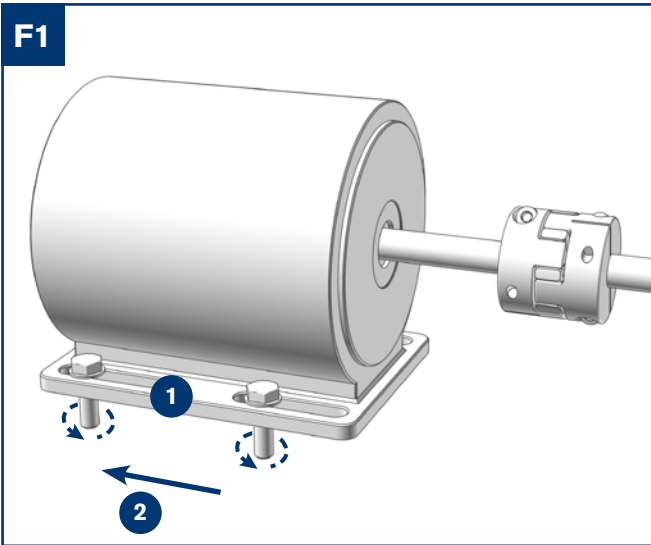


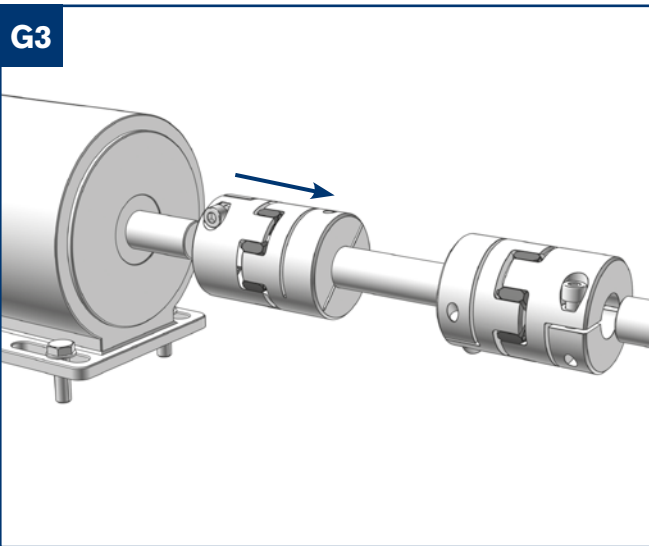
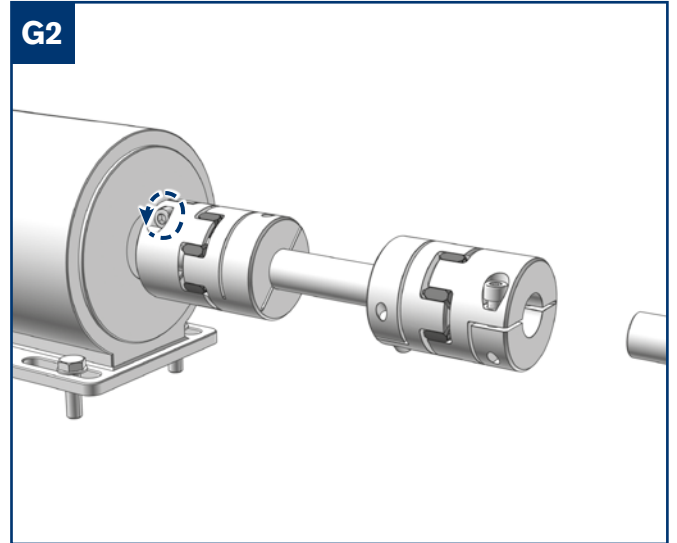
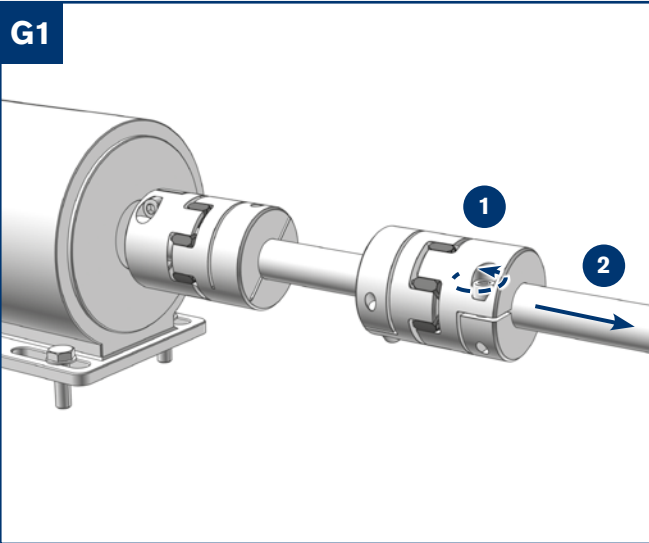


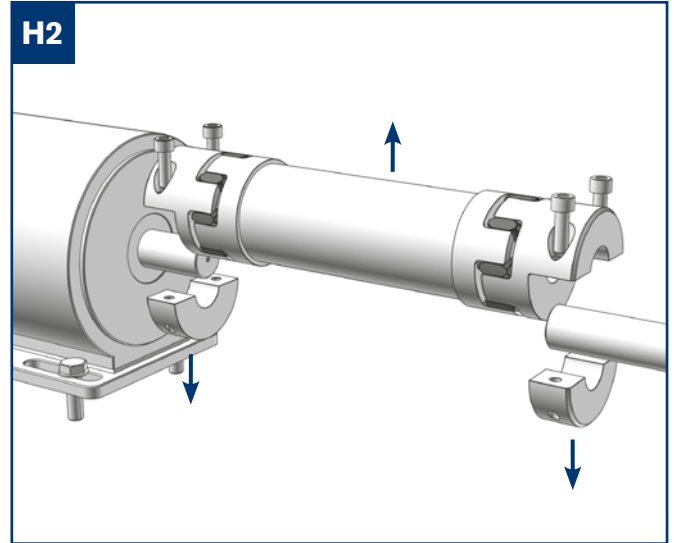
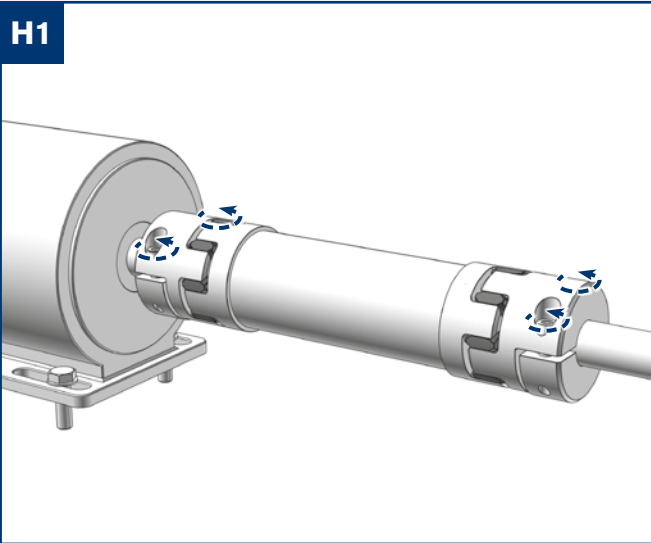












**RINGFEDER POWER TRANSMISSION GMBH**

Werner-Heisenberg-Straße 18, D-64823 Groß-Umstadt, Germany · Phone: +49 (0) 6078 9385-0 · Fax: +49 (0) 6078 9385-100  
E-mail: sales.international@ringfeder.com

**RINGFEDER POWER TRANSMISSION TSCHAN GMBH**

Zweibrücker Straße 104, D-66538 Neunkirchen, Germany · Phone: +49 (0) 6821 866-0 · Fax: +49 (0) 6821 866-4111  
E-mail: sales.tschan@ringfeder.com

**RINGFEDER POWER TRANSMISSION USA CORPORATION**

165 Carver Avenue, Westwood, NJ 07675, USA · Toll Free: +1 888 746-4333 · Phone: +1 201 666 3320 · Fax: +1 201 664 6053  
E-mail: sales.usa@ringfeder.com

**HENFEL INDÚSTRIA METALÚRGICA LTDA.**

Av. Major Hilário Tavares Pinheiro, 3447 · CEP 14871 300 · Jaboticabal - SP - Brazil · Phone: +55 (16) 3209-3422  
E-mail: vendas@henfel.com.br

**RINGFEDER POWER TRANSMISSION INDIA PRIVATE LIMITED**

Plot No. 4, Door No. 220, Mount - Poonamallee Road, Kattupakkam, Chennai – 600 056, India  
Phone: +91 (0) 44-2679 1411 · Fax: +91 (0) 44-2679 1422 · E-mail: sales.india@ringfeder.com

**KUNSHAN RINGFEDER POWER TRANSMISSION COMPANY LIMITED**

NO. 406 Jiande Road, Zhangpu 215321, Kunshan, Jiangsu Province, China  
Phone: +86 (0) 512-5745-3960 · Fax: +86 (0) 512-5745-3961 · E-mail: sales.china@ringfeder.com

Partner for Performance  
[www.ringfeder.com](http://www.ringfeder.com)

