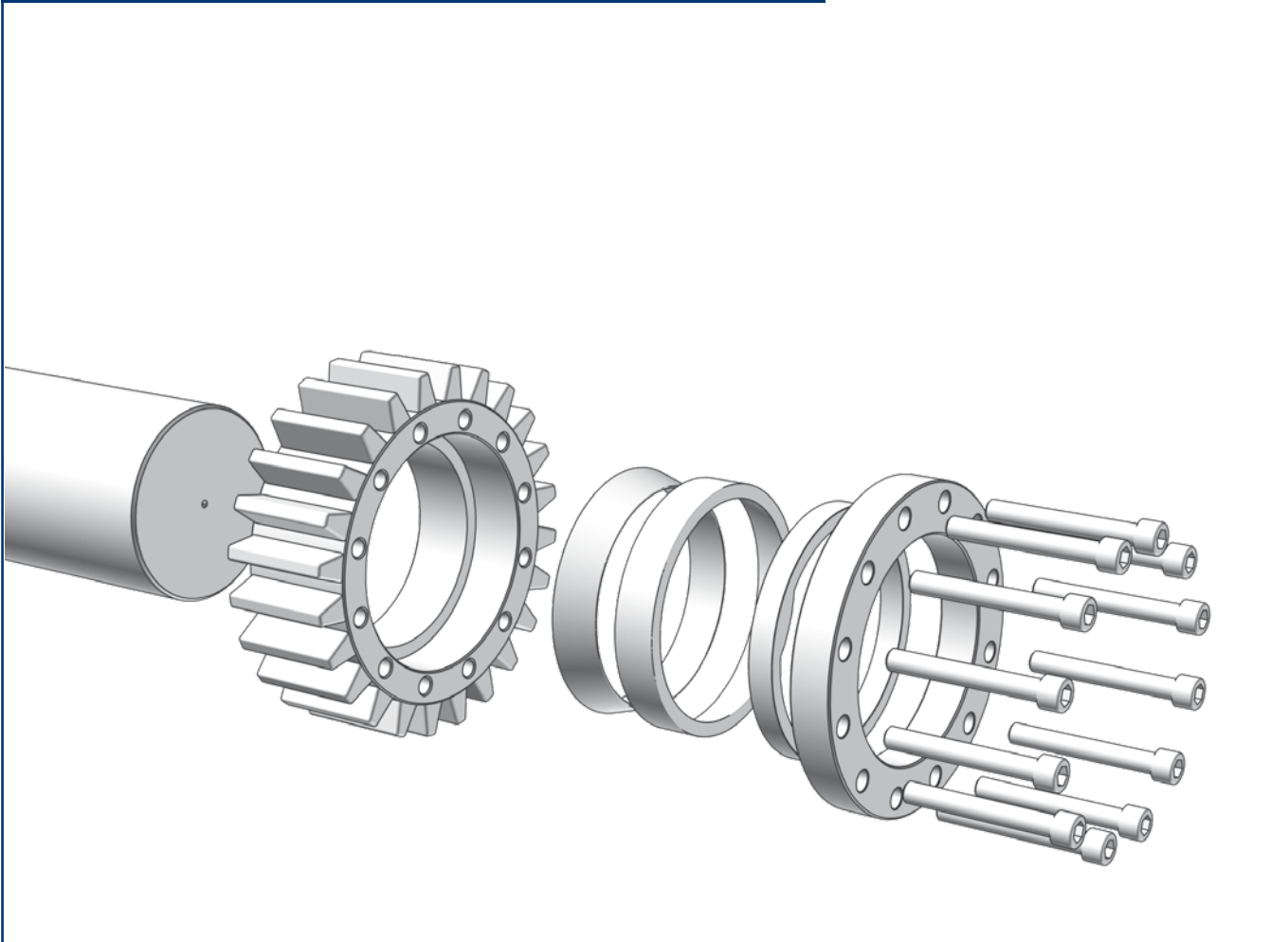


Locking Elements

RINGFEDER® RfN 8006

Assembly, Disassembly, Re-Assembly



RfN 8006
solid



RfN 8006
slit

Safety instructions

Rotating machine parts may injure operators and service staff!
Therefore:

- Switch off the drive before assembly work.
- Safeguard the machine against accidental switch-on.
- Mount all covers and protection devices before switching on the machine.
- RINGFEDER® products may only be mounted by specialist staff and for suitable applications.

Attention

- Please read these instructions through carefully.
- In the event of infringement of these notes all claims of liability will become void.
- RINGFEDER POWER TRANSMISSION reserves the right to technical changes to improve the product.
- RINGFEDER® Locking Elements are accepted state of the art.

If you experience problems or have any questions, our technical and service staff will be happy to assist you. See the reverse of these instructions for the corresponding contact information.

Used Lubricants

Designation

Shell Omala 220 Gear / Bearing oil *r comparable lubricant ($\mu = 0,05$)*

Legend



Assembly



Disassembly



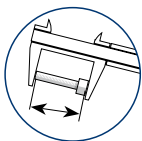
Re-Assembly



Cleaning



Oil hub and shaft lightly, if necessary (*do not use oil containing MoS2*).



Check screw for deformation and replace, if necessary.



Repeat the described procedure cross-wise the specified number of times.



Repeat the described procedure as many times as specified.



Check for permissible peak-to-valley height.



Attention!
Absolutely observe!



Valid data on the required tightening torque can be found in the Product Paper & Tech Paper "Locking Elements" or on our website. Please check whether the machinery manufacturer has provided discrepant tightening torque values.



Component without undercut



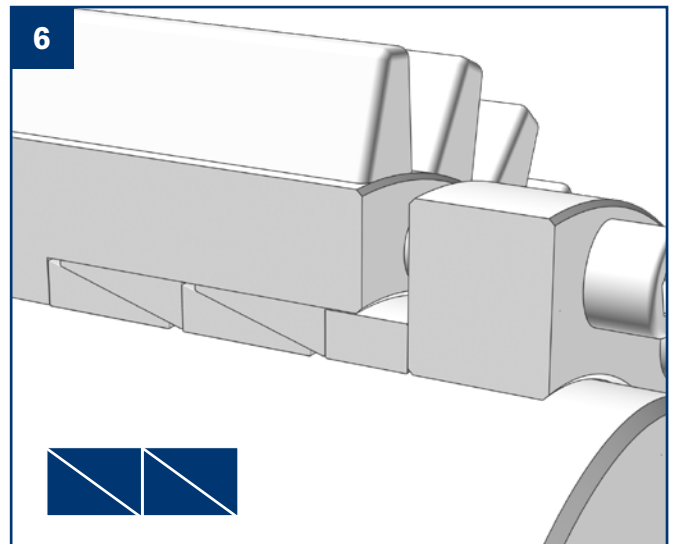
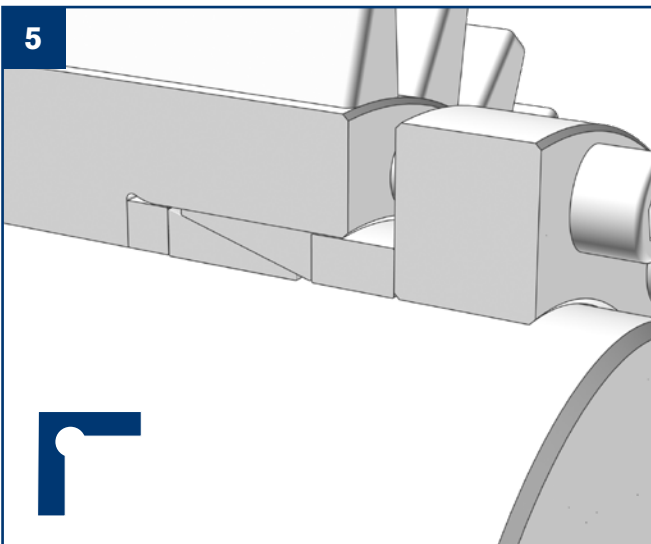
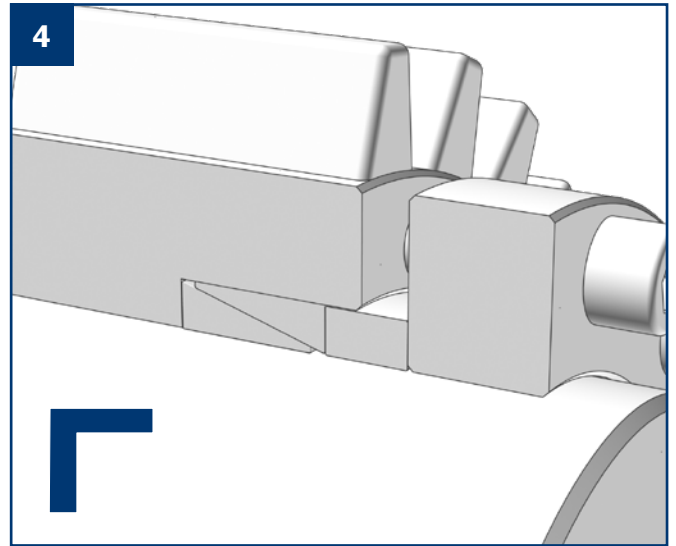
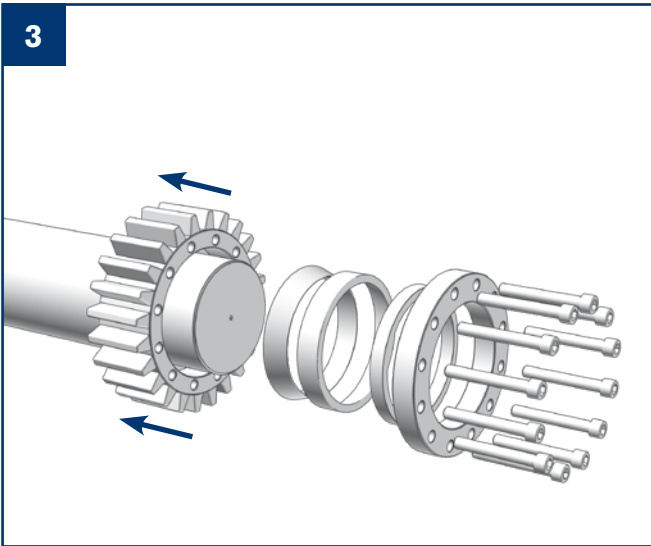
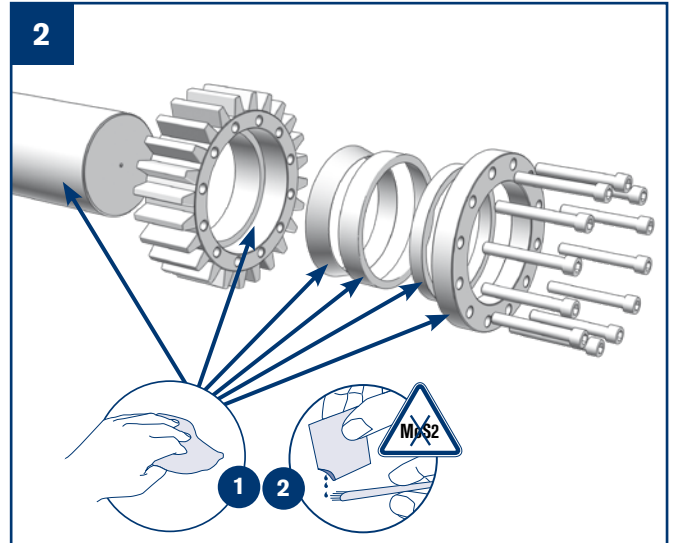
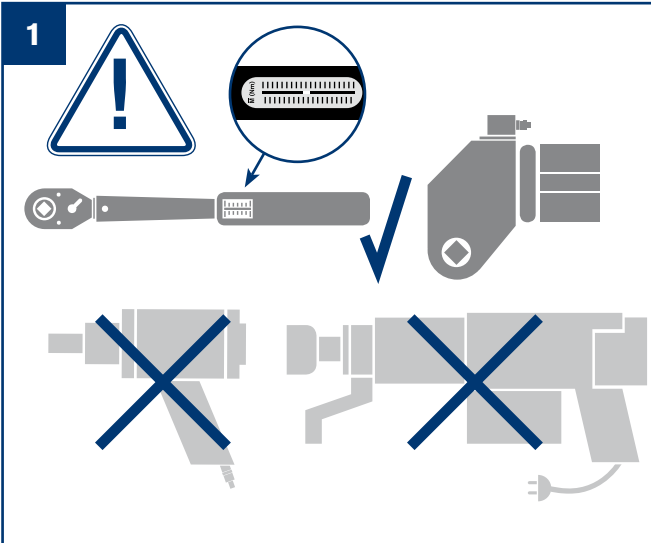
Component with undercut

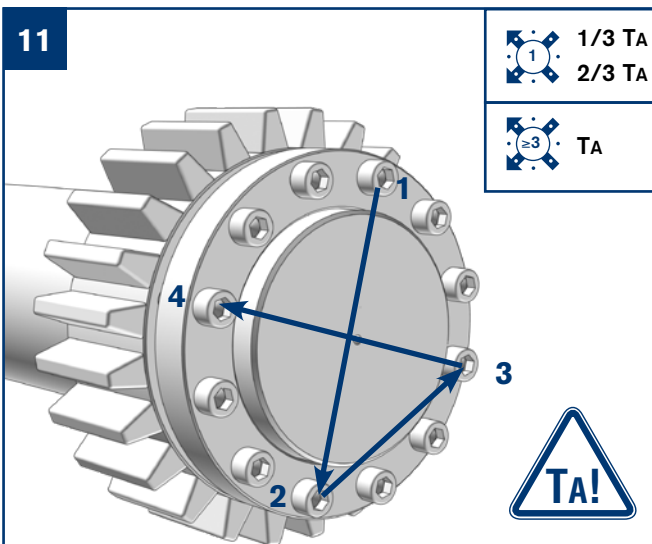
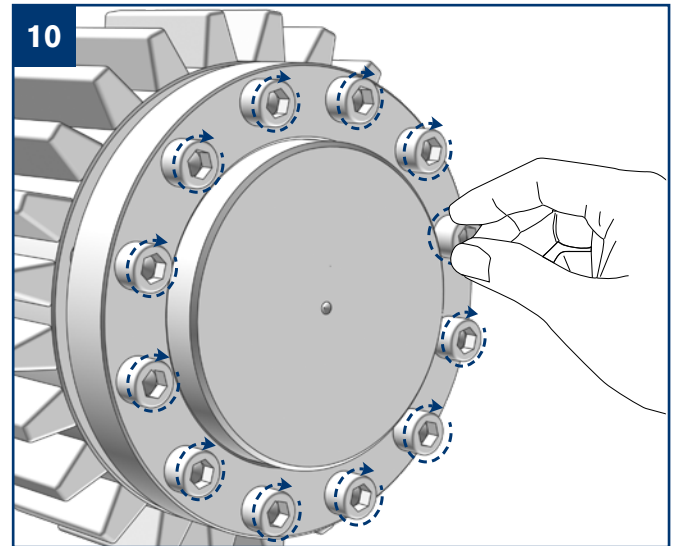
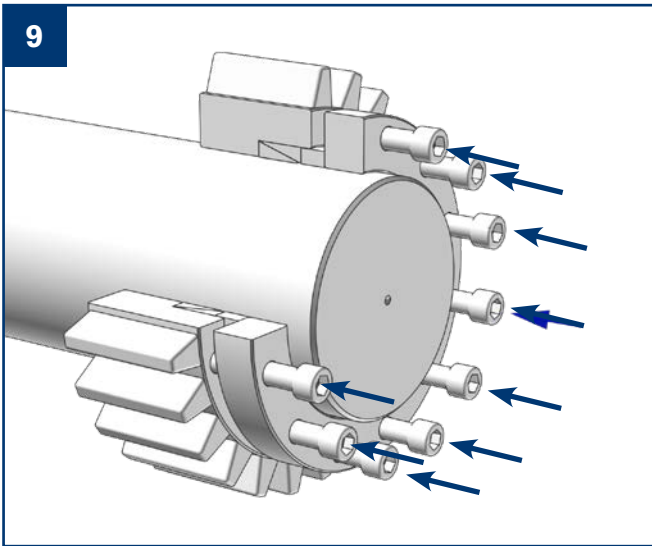
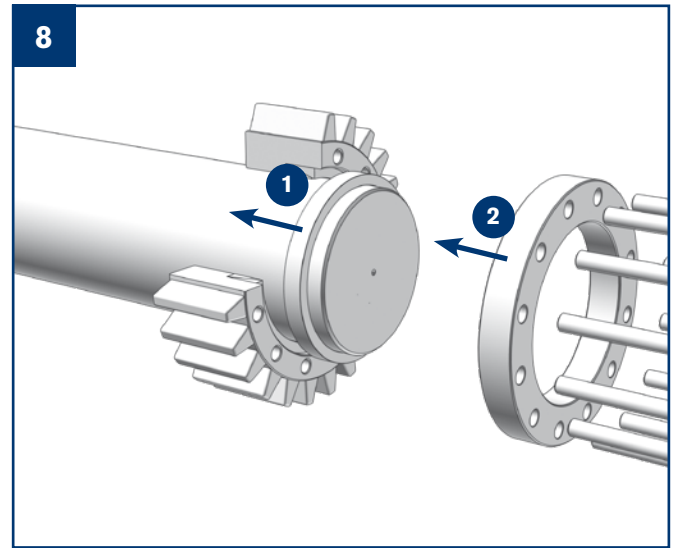
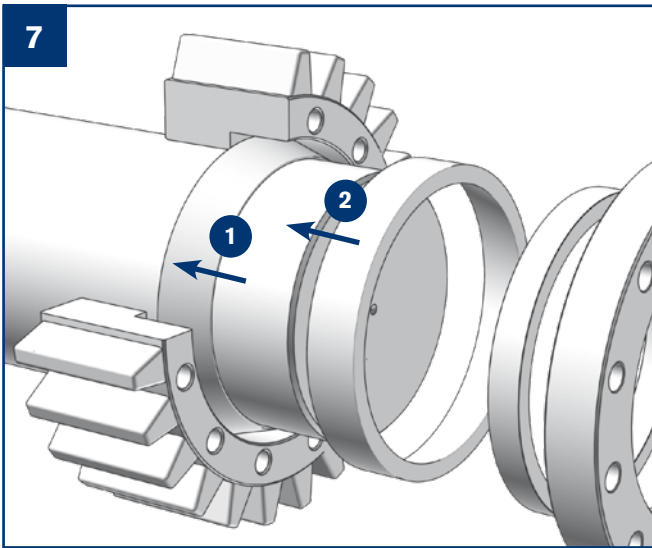


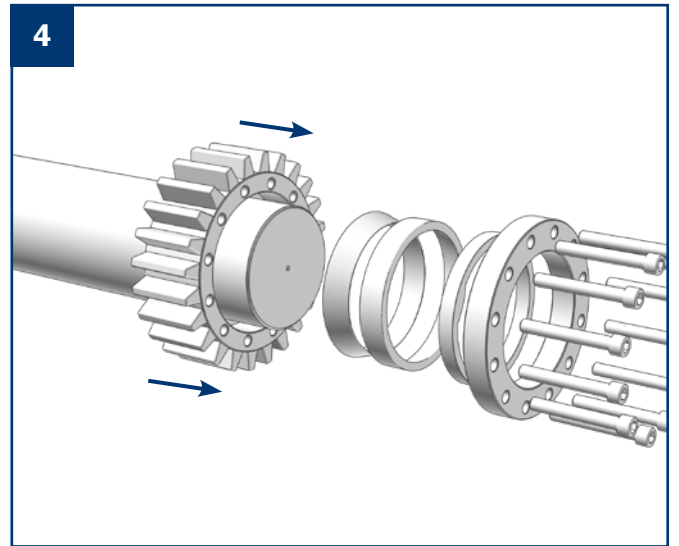
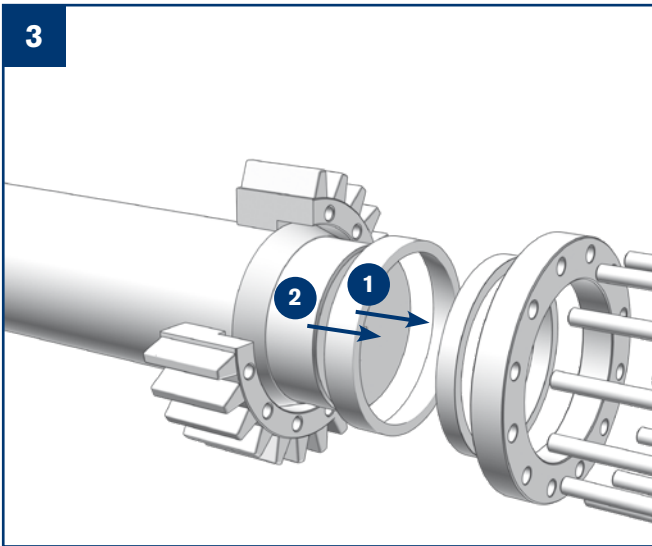
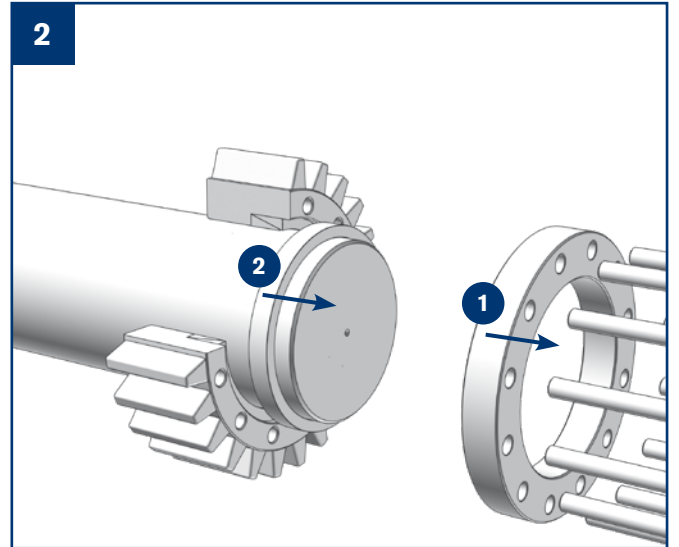
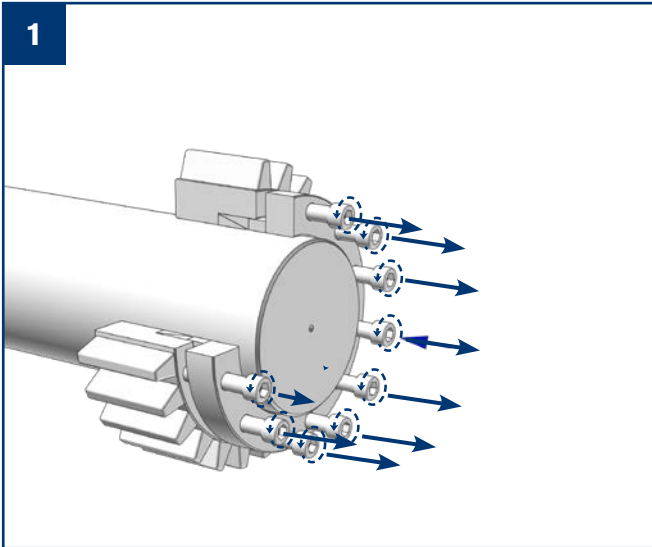
Installation of additional locking elements

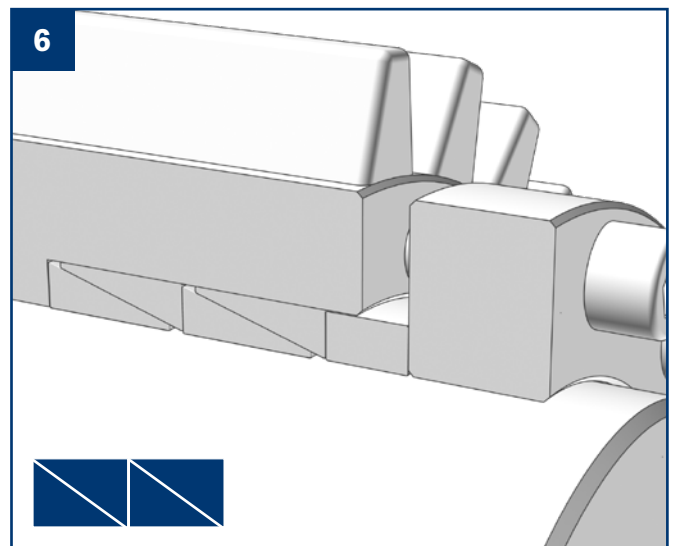
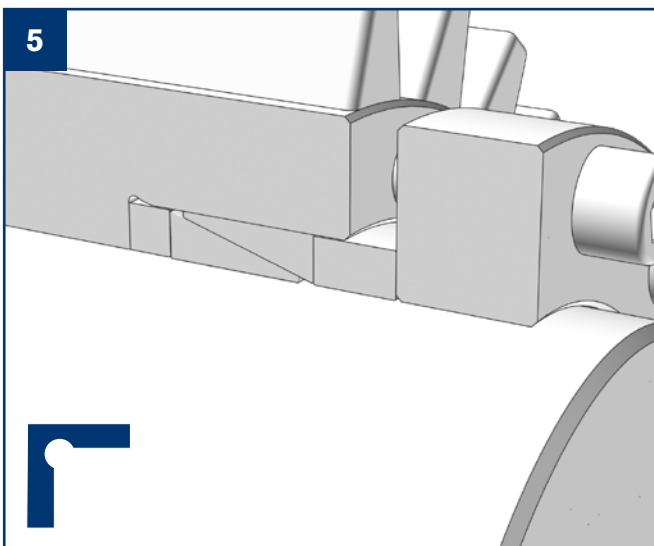
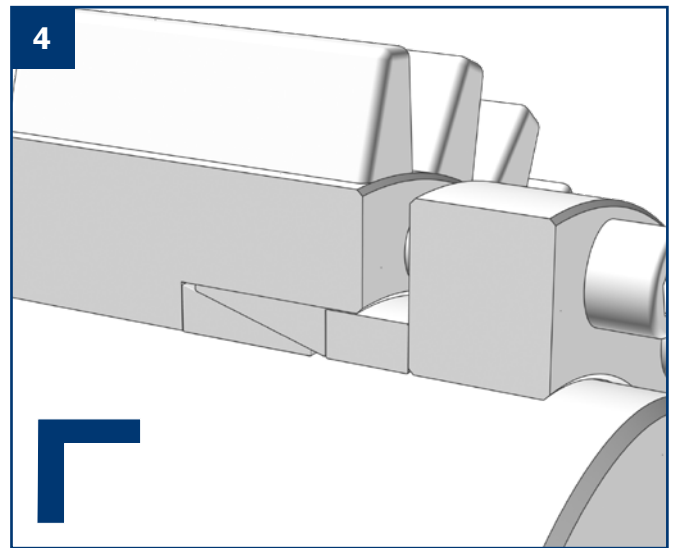
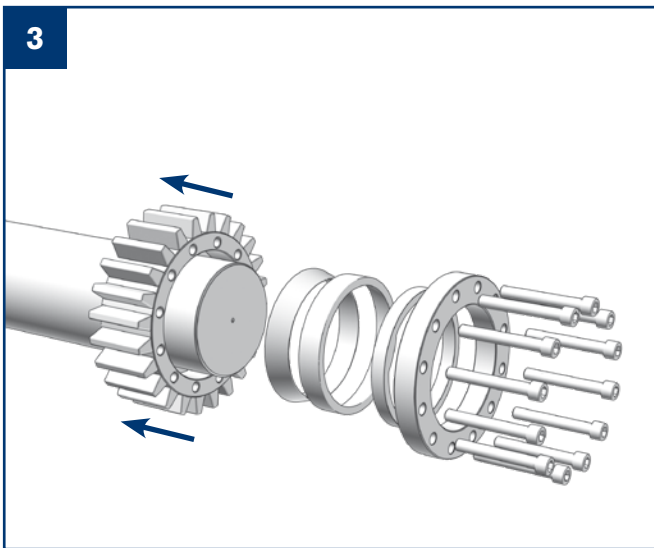
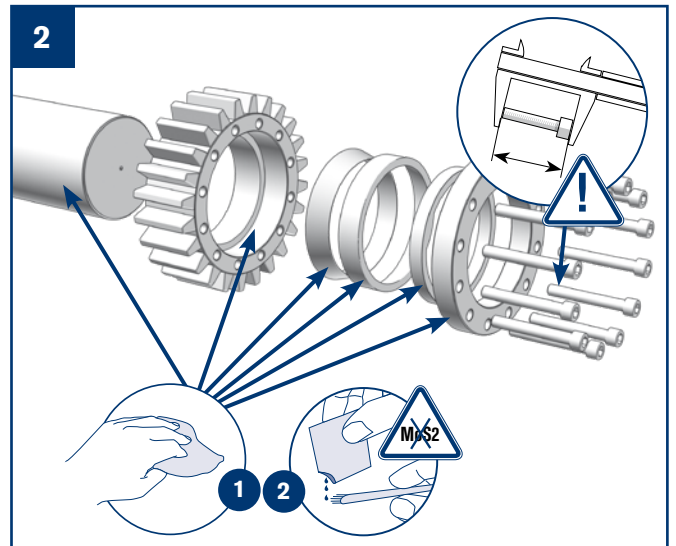
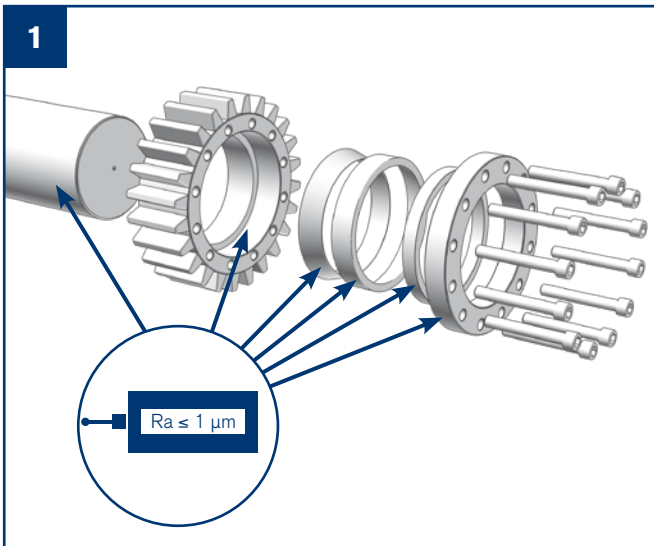


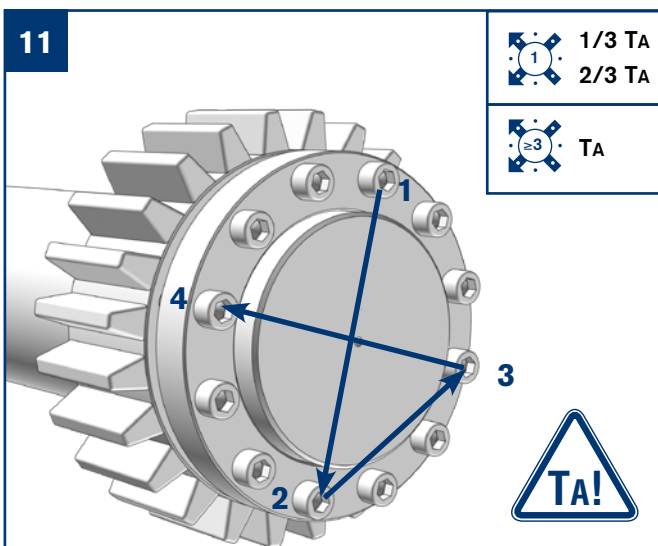
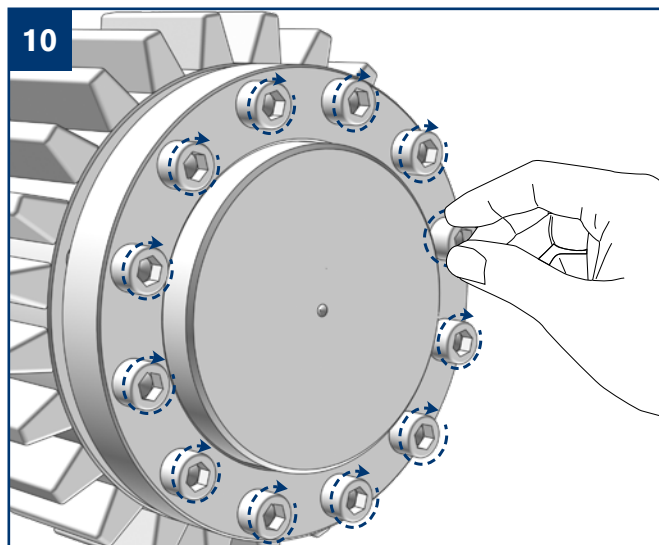
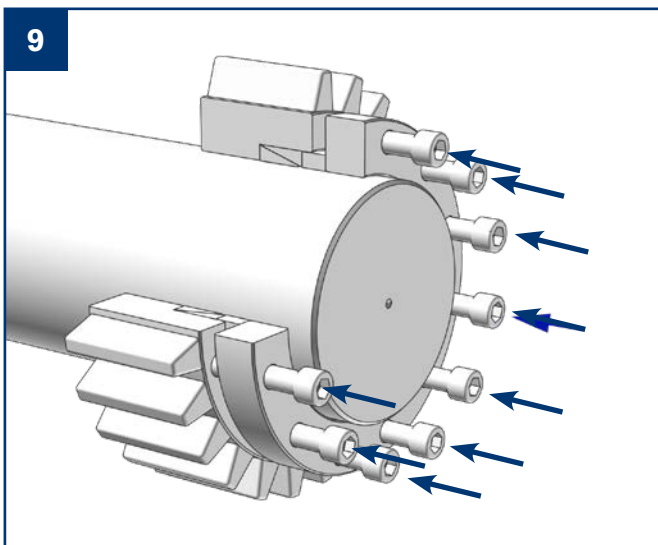
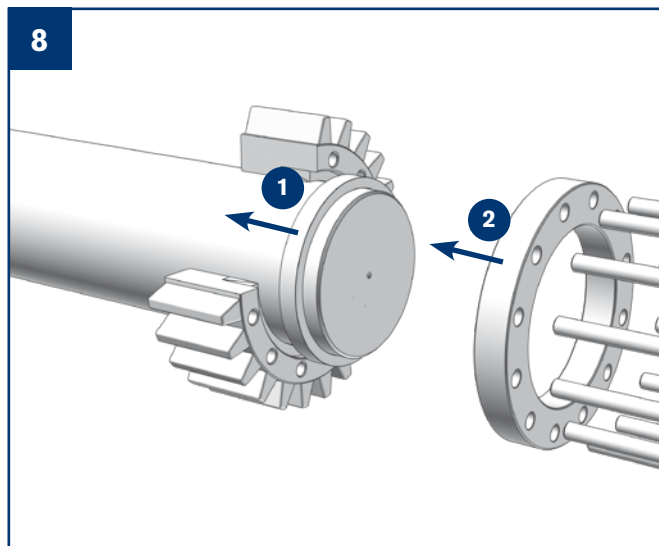
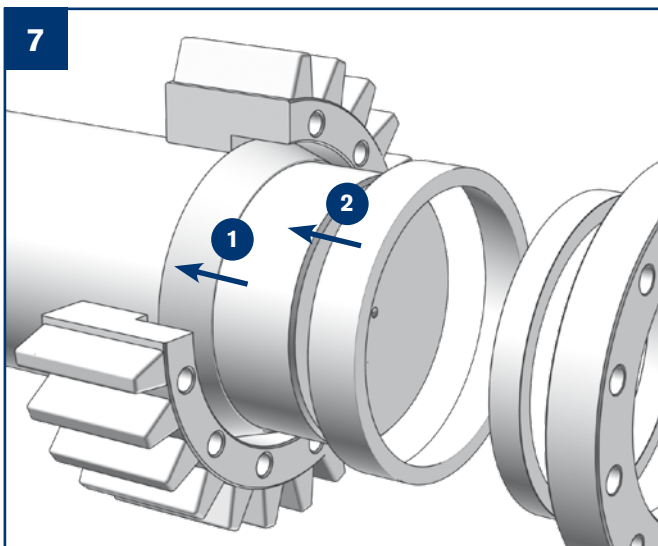
RfN 8006











RINGFEDER POWER TRANSMISSION GMBH

Werner-Heisenberg-Straße 18, 64823 Groß-Umstadt, Germany · Phone: +49 6078 9385-0 · Fax: +49 6078 9385-100
E-Mail: sales.international@ringfeder.com

RINGFEDER POWER TRANSMISSION SP. Z O. O.

Ul. Szyby Rycerskie 6, 41-909 Bytom, Poland · Phone: +48 32 301 53 00 · Fax: +48 32 722 44 44 · E-Mail: sales.poland@ringfeder.com

RINGFEDER POWER TRANSMISSION USA CORP.

291 Boston Turnpike, Bolton, CT 06043, USA · Toll Free: +1 888 746-4333 · Phone: +1 201 666-3320 · Fax: +1 860 646-2645
E-Mail: sales.usa@ringfeder.com

CARLYLE JOHNSON MACHINE COMPANY, LLC.

291 Boston Turnpike, Bolton, CT 06043, USA · Phone: +1 860 643-1531 · Fax: +1 860 646-2645 · E-Mail: info@cjmco.com

HENFEL INDÚSTRIA METALÚRGICA LTDA.

Av. Maj. Hilário Tavares Pinheiro 3447, Pq. Ind. Carlos Tonanni, CEP 14871-300, Jaboticabal, SP, Brazil · Phone: +55 (16) 3209-3422
E-Mail: vendas@henfel.com.br

RINGFEDER POWER TRANSMISSION INDIA PVT. LTD.

Plot No. B-26/2, SIPCOT Growth Centre, Vandalur Oragadam Road, Panapakkam Modu, Sriperumbudur Thaluk, Kancheepuram District, 602105, India · E-Mail: sales.india@ringfeder.com

KUNSHAN RINGFEDER POWER TRANSMISSION CO. LTD.

No. 406 Jiande Road, Zhangpu 215321, Kunshan, Jiangsu Province, China · Phone: +86 512 5745-3960
Fax: +86 512 5745-3961 · E-Mail: sales.china@ringfeder.com

Partner for Performance
www.ringfeder.com

