

# Metal Bellows Couplings RINGFEDER® GWB

## Assembly



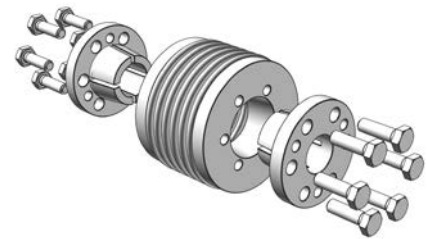
**A** GWB EKN  
Fastening: Radial set screws



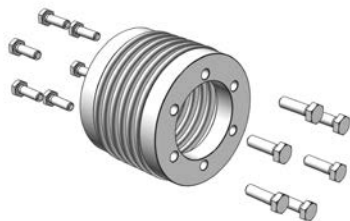
**B** GWB DKN, GWB AKN, GWB AKD  
Fastening: Clamping hubs



**C** GWB PKA  
Fastening: Pluggable clamping hubs



**D** GWB AK  
Fastening: Inner conical hub



**E** GWB CKN  
Fastening: Flange connections



**F** GWB Z5106  
Fastening: Split clamping hubs

## Safety instructions

Rotating machine parts may injure operators and service staff!  
Therefore:

- Switch off the drive before assembly work.
- Safeguard the machine against accidental switch-on.
- Mount all covers and protection devices before switching on the machine.
- RINGFEDER® products may only be mounted by specialist staff and for suitable applications.

## Attention

- Please read these instructions through carefully.
- In the event of infringement of these notes all claims of liability will become void.
- RINGFEDER POWER TRANSMISSION reserves the right to technical changes to improve the product.
- RINGFEDER® Metal Bellows Couplings are accepted state of the art.

**If you experience problems or have any questions, our technical and service staff will be happy to assist you. See the reverse of these instructions for the corresponding contact information.**

## Used lubricants

### Designation

Shell Omala 220 Gear & Bearing Oil or comparable lubricant

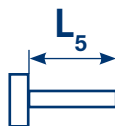
## Legend



Assembly



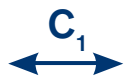
Cleaning



Length expanding mandrel



Clamping length



Guided length



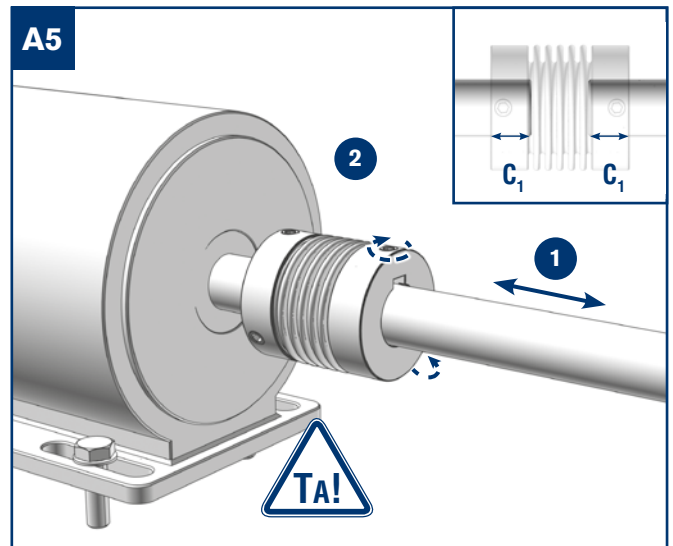
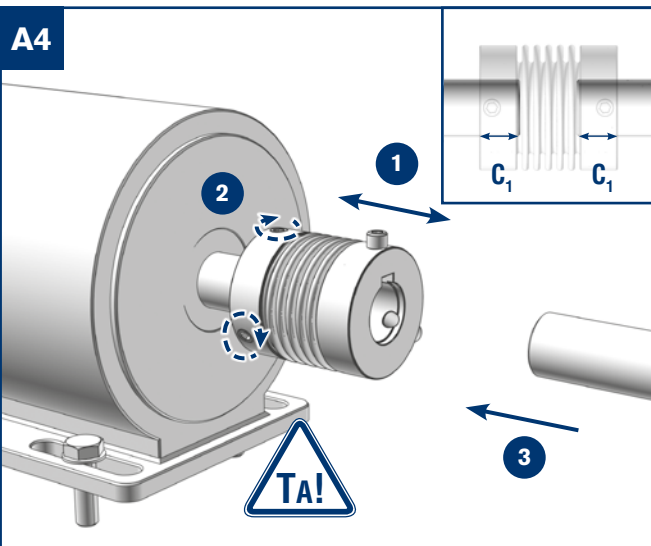
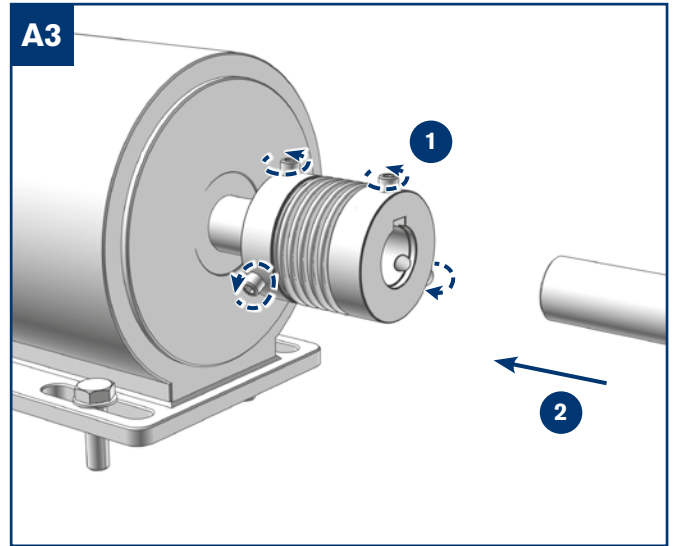
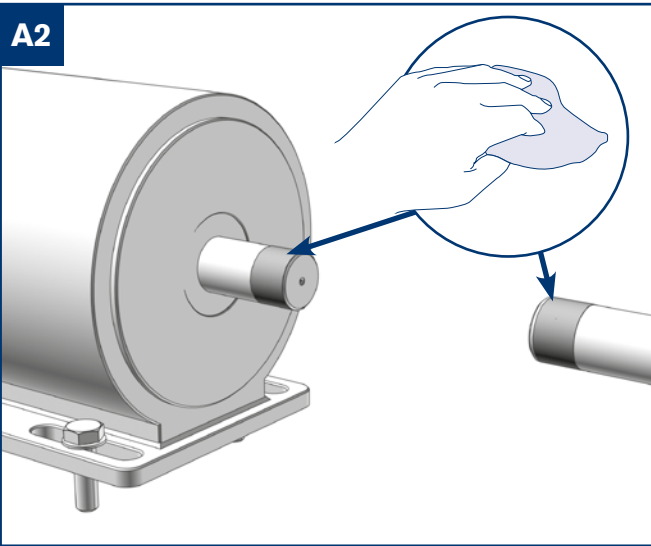
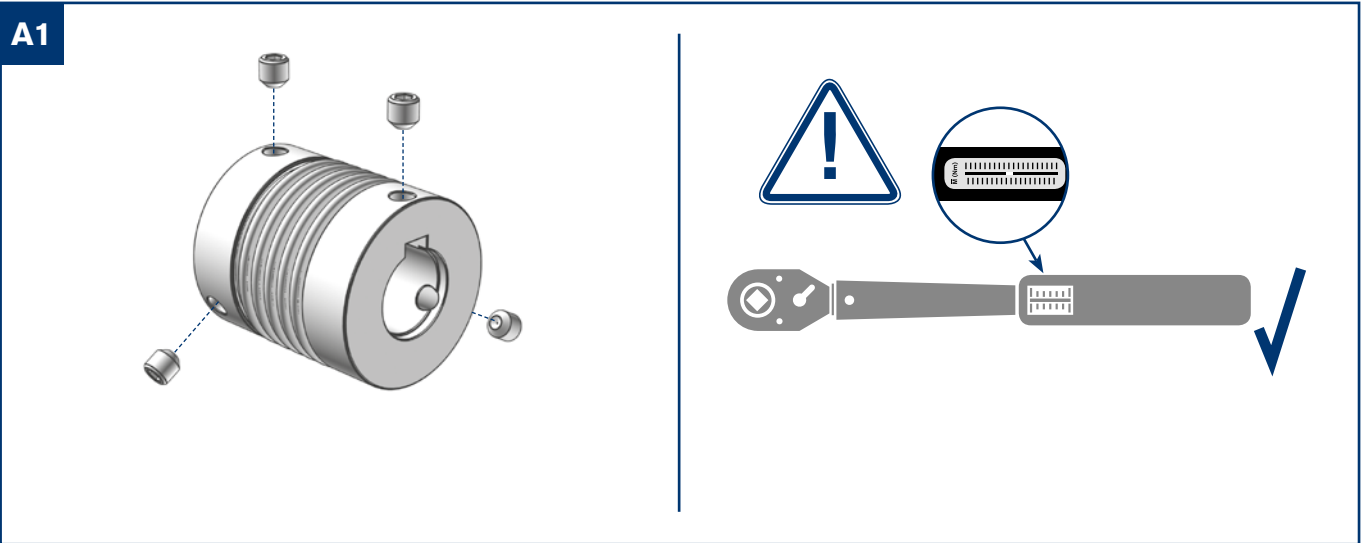
Preload distance

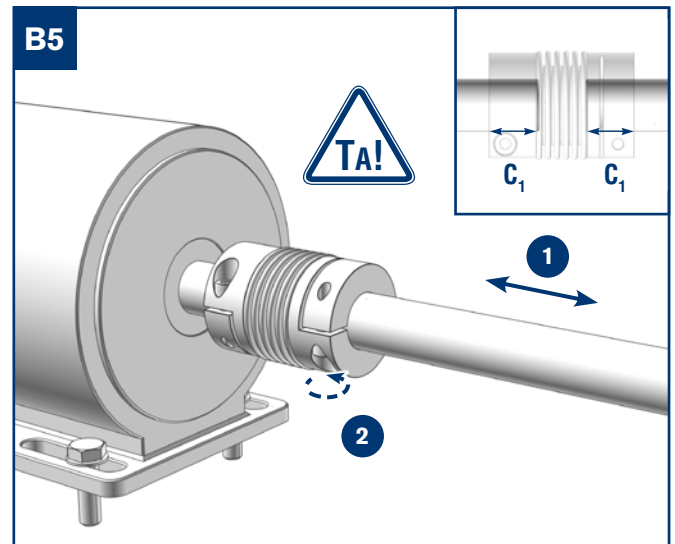
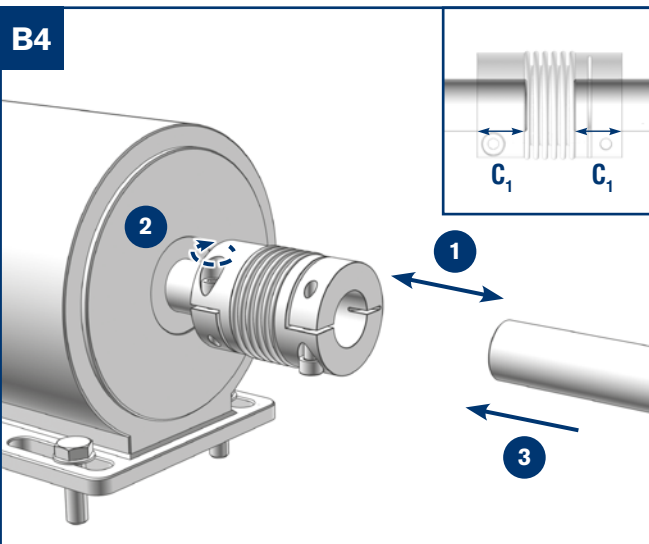
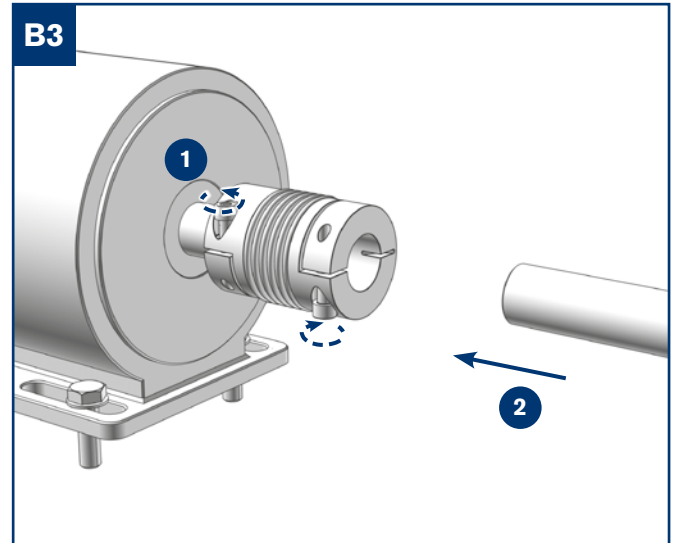
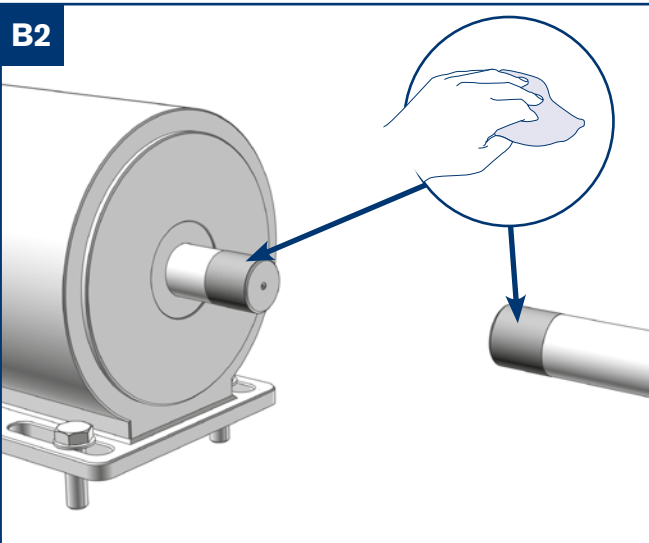
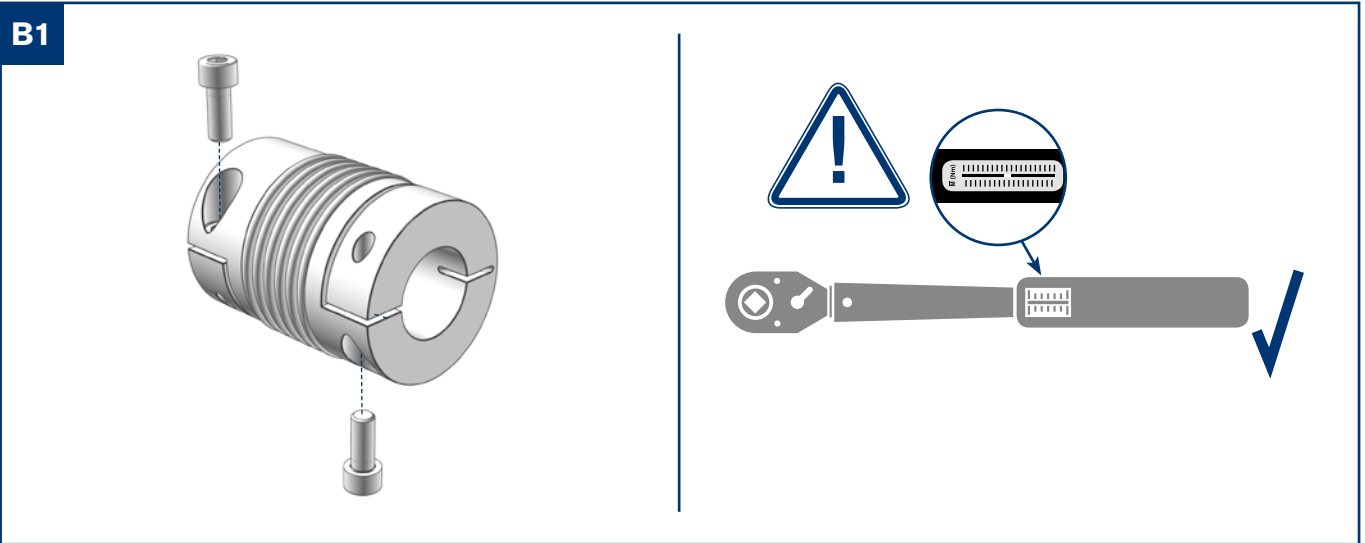


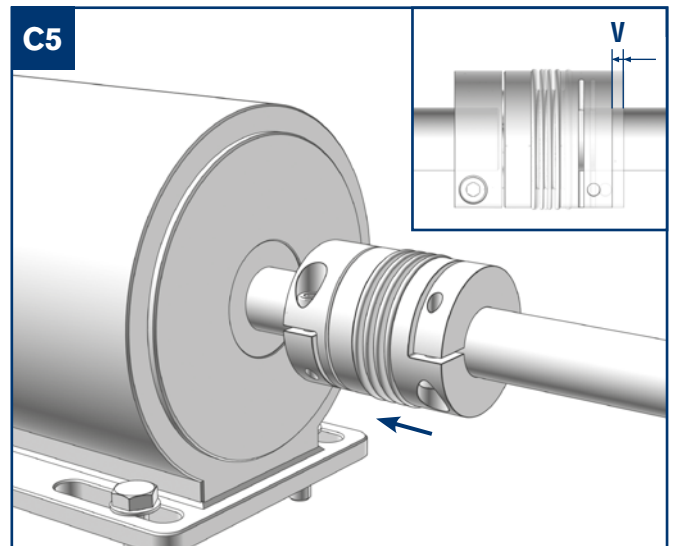
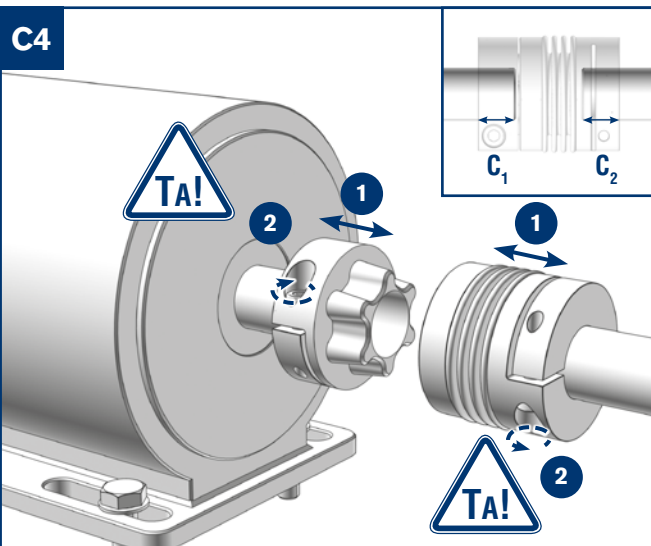
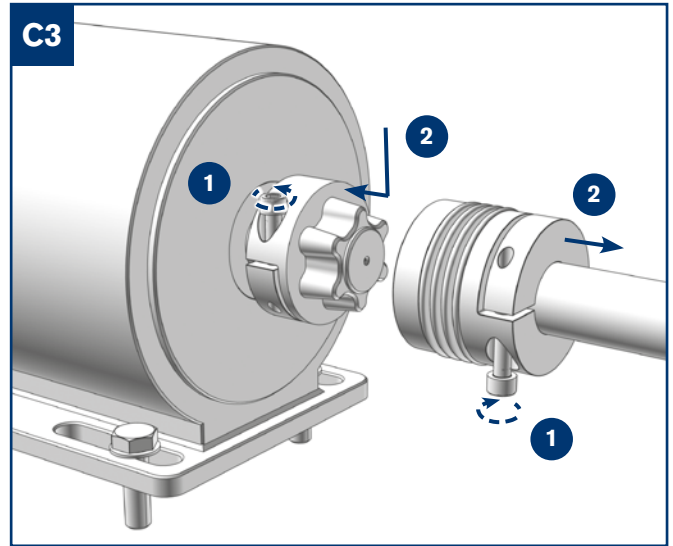
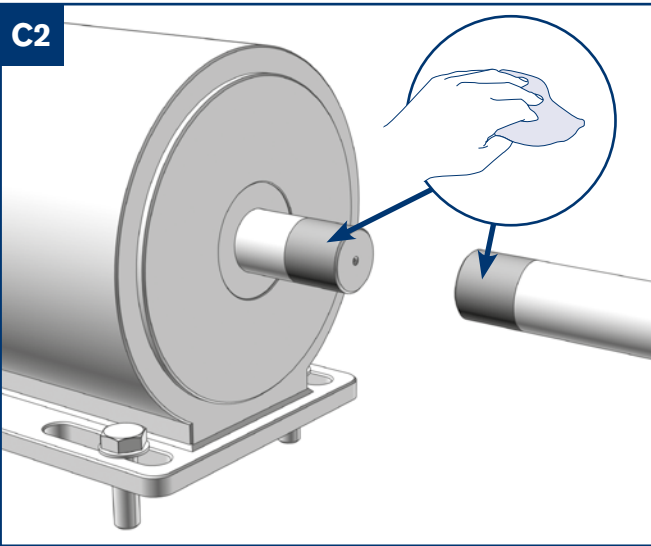
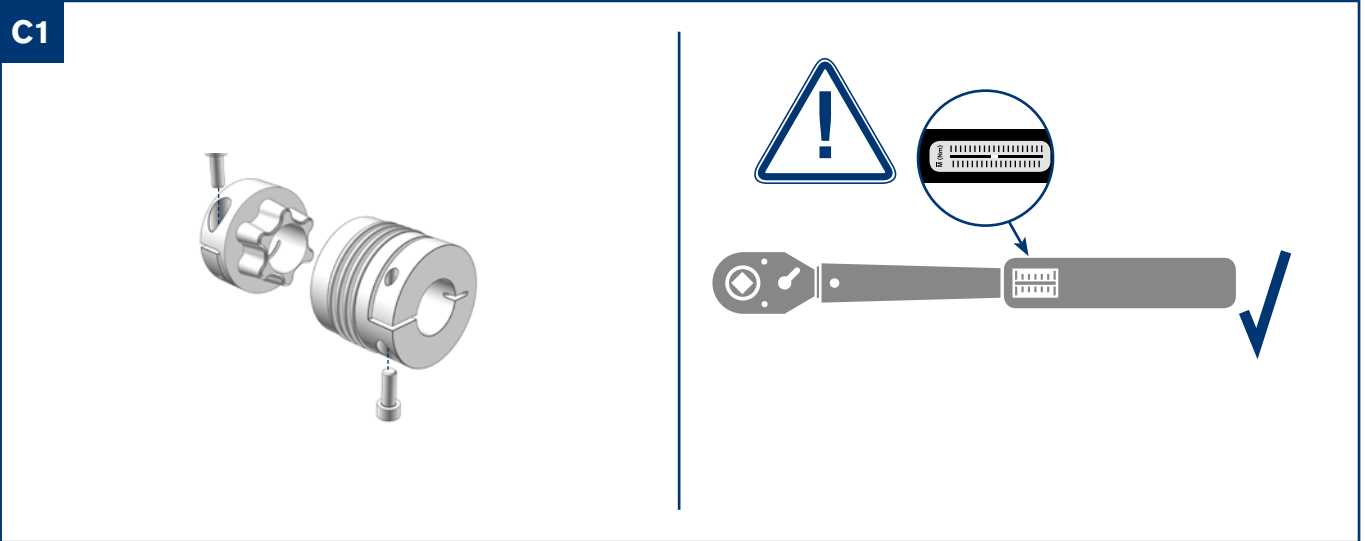
Attention!  
Absolutely observe!

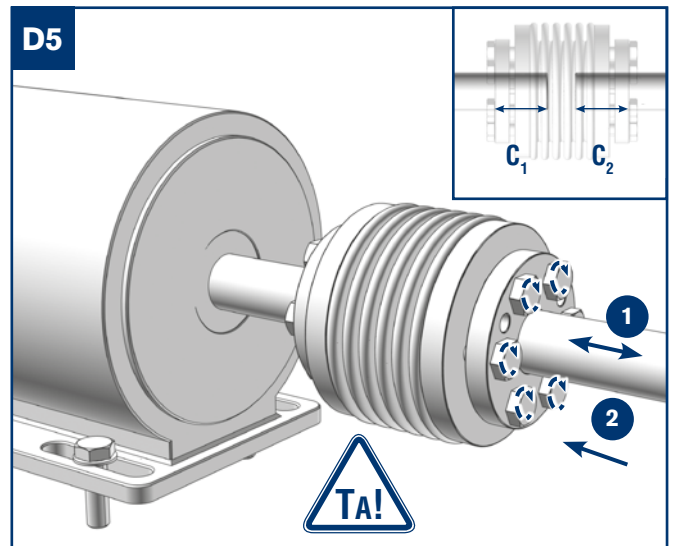
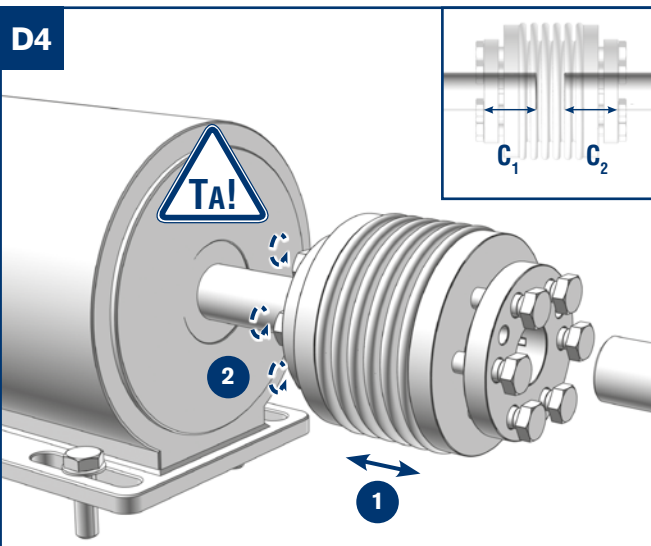
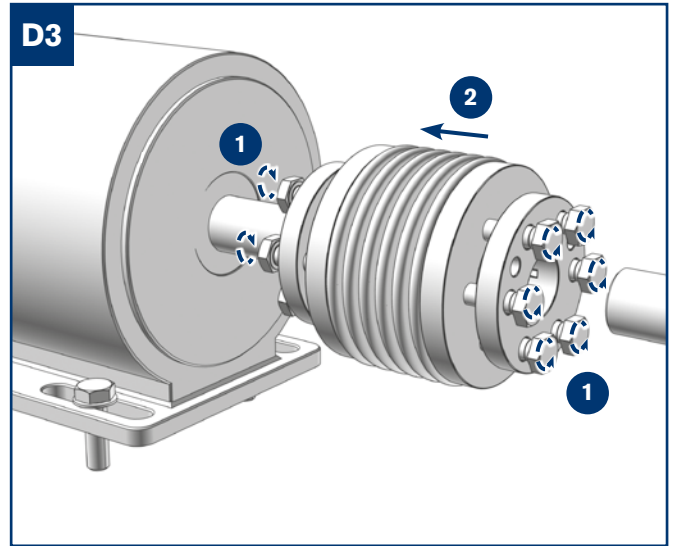
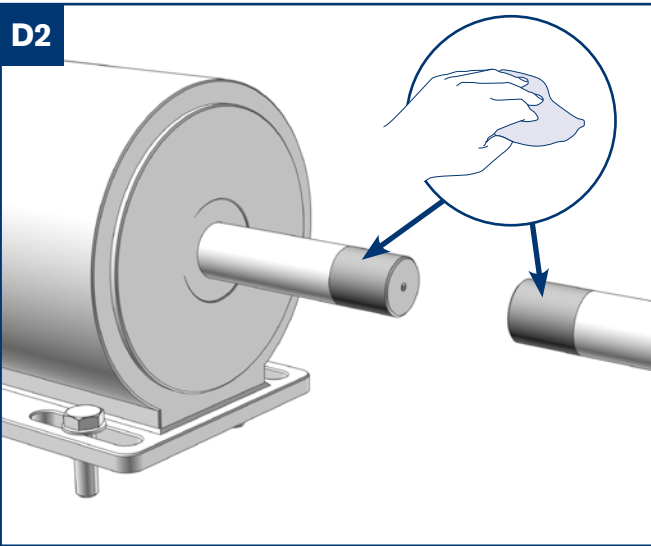
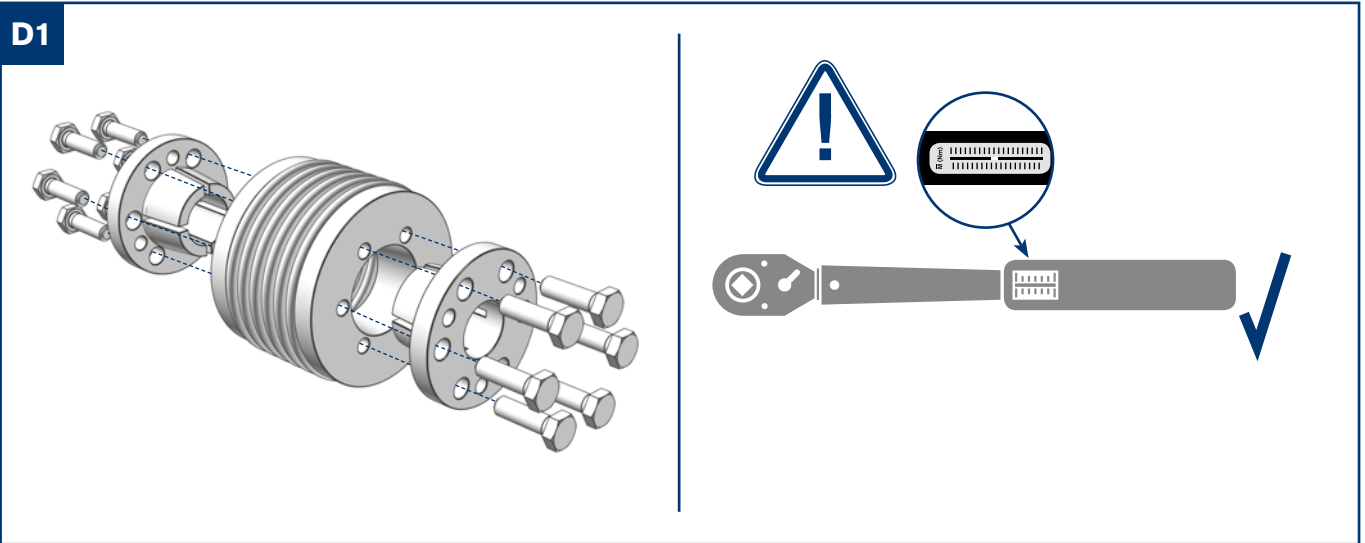


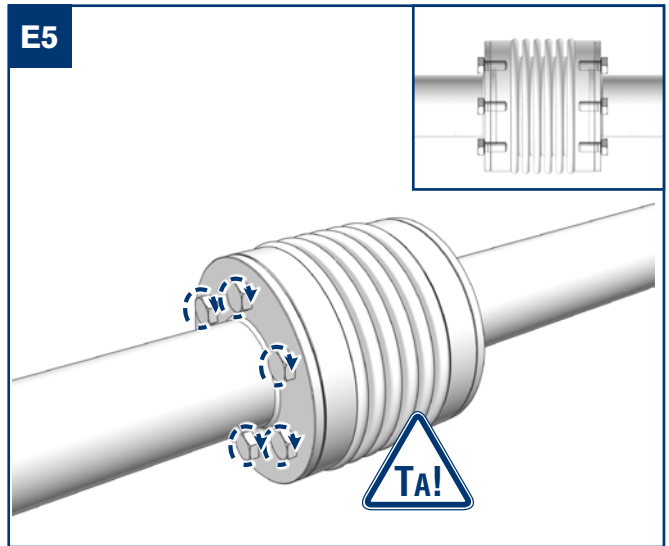
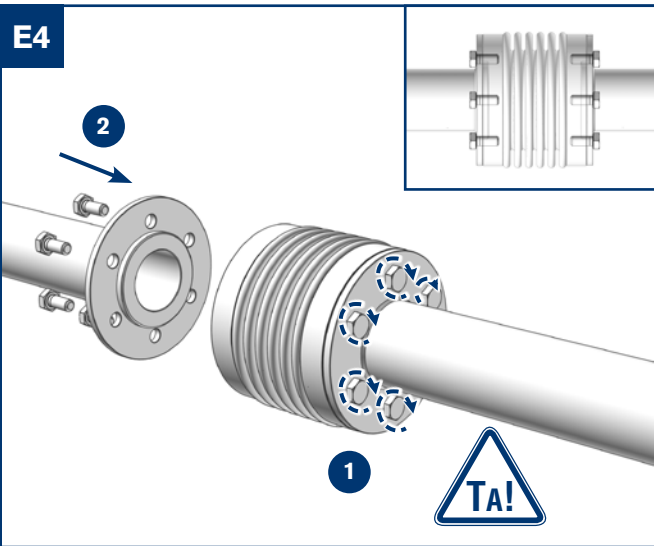
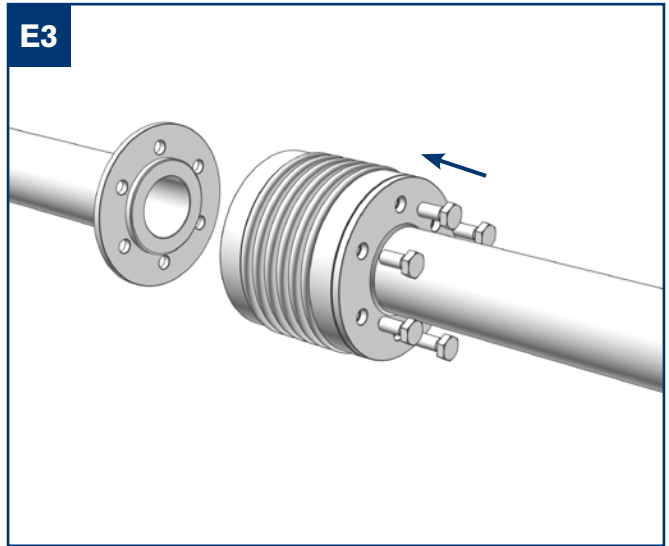
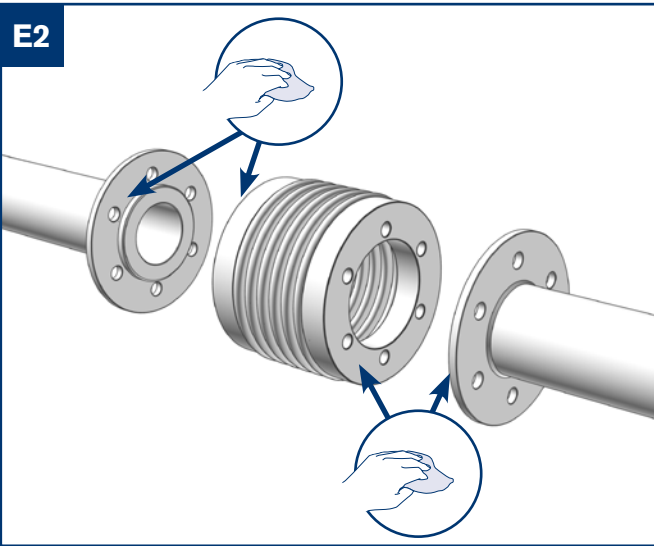
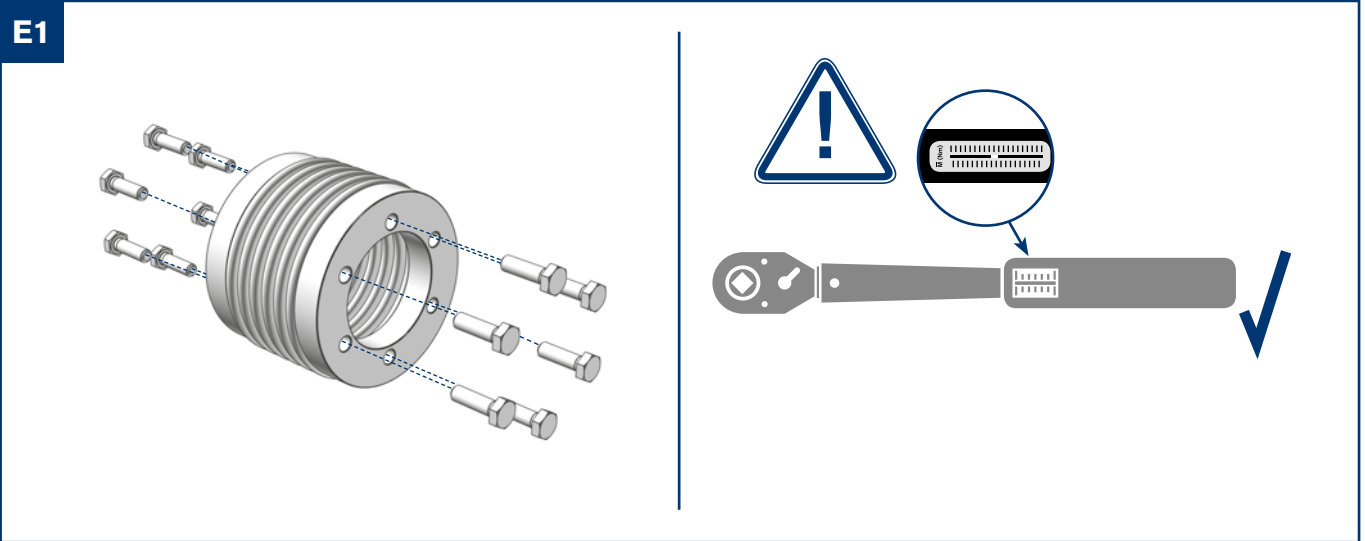
Valid data on the required tightening torque can be found in the Product Paper & Tech Paper "Metal Bellows Couplings" or on our website. Please check whether the machinery manufacturer has provided discrepant tightening torque values.

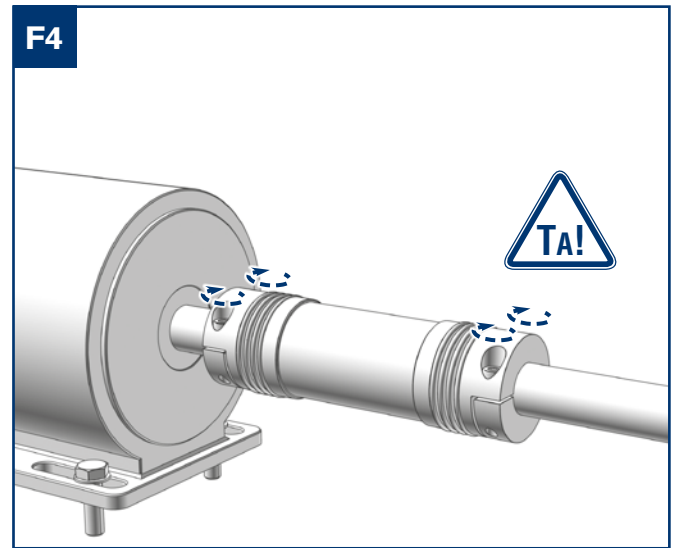
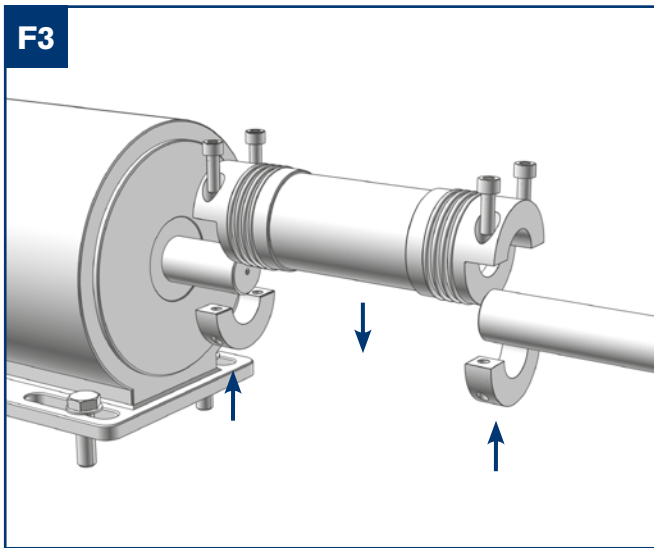
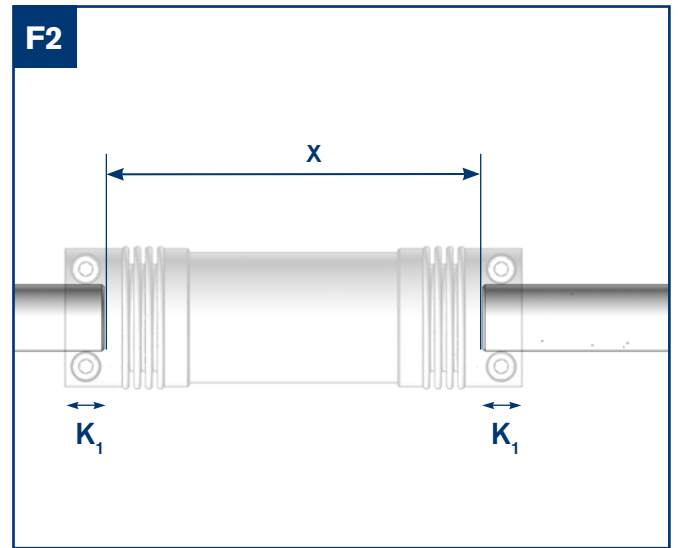
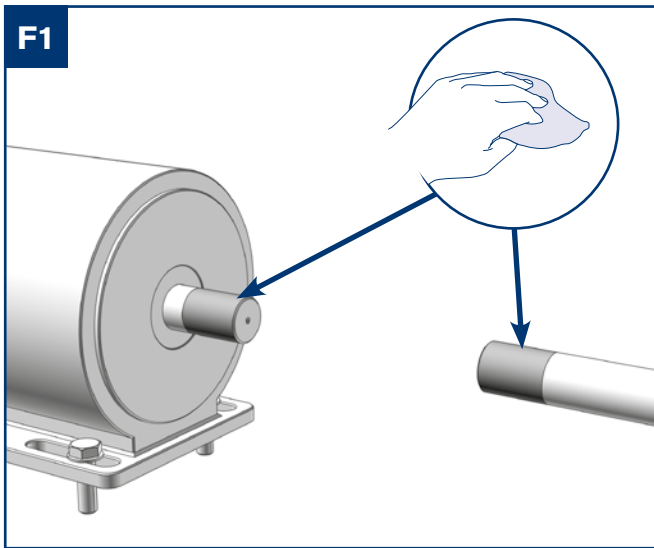














**RINGFEDER POWER TRANSMISSION GMBH**

Werner-Heisenberg-Straße 18, D-64823 Groß-Umstadt, Germany · Phone: +49 (0) 6078 9385-0 · Fax: +49 (0) 6078 9385-100  
E-mail: sales.international@ringfeder.com

**RINGFEDER POWER TRANSMISSION TSCHAN GMBH**

Zweibrücker Straße 104, D-66538 Neunkirchen, Germany · Phone: +49 (0) 6821 866-0 · Fax: +49 (0) 6821 866-4111  
E-mail: sales.tschan@ringfeder.com

**RINGFEDER POWER TRANSMISSION USA CORPORATION**

165 Carver Avenue, Westwood, NJ 07675, USA · Toll Free: +1 888 746-4333 · Phone: +1 201 666 3320 · Fax: +1 201 664 6053  
E-mail: sales.usa@ringfeder.com

**HENFEL INDÚSTRIA METALÚRGICA LTDA.**

Av. Major Hilário Tavares Pinheiro, 3447 · CEP 14871 300 · Jaboticabal - SP - Brazil · Phone: +55 (16) 3209-3422  
E-mail: vendas@henfel.com.br

**RINGFEDER POWER TRANSMISSION INDIA PRIVATE LIMITED**

Plot No. 4, Door No. 220, Mount - Poonamallee Road, Kattupakkam, Chennai – 600 056, India  
Phone: +91 (0) 44-2679 1411 · Fax: +91 (0) 44-2679 1422 · E-mail: sales.india@ringfeder.com

**KUNSHAN RINGFEDER POWER TRANSMISSION COMPANY LIMITED**

NO. 406 Jiande Road, Zhangpu 215321, Kunshan, Jiangsu Province, China  
Phone: +86 (0) 512-5745-3960 · Fax: +86 (0) 512-5745-3961 · E-mail: sales.china@ringfeder.com

Partner for Performance  
[www.ringfeder.com](http://www.ringfeder.com)

