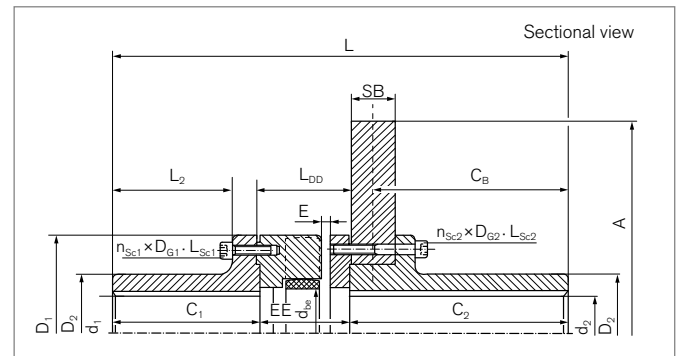
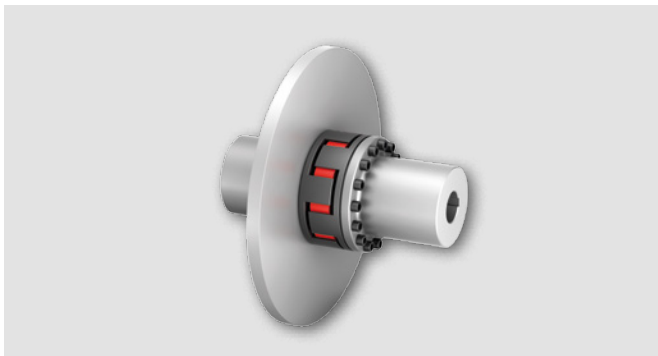


Elastomer Jaw Couplings

RINGFEDER® TNS SDDL-5-BS

Coupling with detachable claw rings,
long hubs and brake disc



Identifier	Size	A	SB	$T_{KN} V_{k60D}$	$T_{Kmax} V_{k60D}$	n_{max}	d_{1kmax}	d_{2kmax}	D_1	D_2	C_1	C_2	C_B	L	L_2
		mm	mm	Nm	Nm	1/min	mm	mm	mm	mm	mm	mm	mm	mm	mm
WS5114-0355-30	145	355	30	600	1800	4800	65	65	145	92	110	166,5	150	344,5	93,5
WS5114-0400-30		400	30			4300	65	65							
WS5117-0400-30	170	400	30	950	2850	4300	75	75	170	110	140	166,5	150	374,5	123,5
WS5117-0450-30		450	30			3750	75	75							
WS5117-0500-30		500	30			3400	75	75							
WS5120-0450-30	200	450	30	1650	4950	3750	95	95	200	135	170	207	190	454	153,5
WS5120-0500-30		500	30			3400	95	95							
WS5120-0560-30		560	30			3000	95	95							
WS5123-0500-30	230	500	30	2580	7740	3250	110	110	230	160	170	207,5	190	458,5	150
WS5123-0560-30		560	30			3000	110	110							
WS5123-0630-30		630	30			2700	110	110							
WS5123-0710-30		710	30			2400	110	110							
WS5126-0630-30	260	630	30	3980	11940	2700	125	125	260	180	210	212,5	195	518,5	185,5
WS5126-0710-30		710	30			2400	125	125							
WS5130-0710-30	300	710	30	5850	17550	2400	140	140	300	200	210	212,5	195	535,5	183,5
WS5130-0800-30		800	30			2150	140	140							
WS5130-0800-40		800	40			2150	140	140							
WS5136-0800-30	360	800	30	9700	29100	2150	160	160	360	225	250	252,5	230	627,5	220,5
WS5136-0800-40		800	40			2150	160	160							
WS5136-1000-40		1000	40			1700	160	160							
WS5140-0800-30	400	800	30	13350	40050	1900	160	160	400	225	250	252,5	230	627,5	220,5
WS5140-0800-40		800	40			1900	160	160							
WS5140-1000-40		1000	40			1700	160	160							

For further information see chapter „Introduction“ as well as chapter „Elastomer Jaw Couplings RINGFEDER® TNS Basic information“ in the Product Paper & Tech Paper „RINGFEDER® Elastomer Jaw Couplings“

To continue see next page

Elastomer Jaw Couplings RINGFEDER® TNS SDDL-5-BS

Identifier	Size	L _{DD} mm	E mm	F _E mm	EE mm	d _{be} mm	Screws ISO 4762 - 8.8								G _{wub} kg
							n _{Sc1}	D _{G1} mm	L _{Sc1} mm	T _{A1} Nm	n _{Sc2}	D _{G2} mm	L _{Sc2} mm	T _{A2} Nm	
WS5114-0355-30	145	71	5	+ 2,5	68	66	9	M12	30	85	9	M12	60	85	43,0
WS5114-0400-30					68						9	M12	60	85	49,3
WS5117-0400-30	170	71	5	+ 3,0	68	90	12	M12	30	85	12	M12	70	85	59,9
WS5117-0450-30					68						12	M12	70	85	67,7
WS5117-0500-30					68						12	M12	70	85	76,5
WS5120-0450-30	200	81	6	+ 3,0	77	100	12	M14	30	135	12	M14	60	135	59,9
WS5120-0500-30					77						12	M14	60	135	98,1
WS5120-0560-30					77						12	M14	60	135	109,9
WS5123-0500-30	230	86	7	+ 3,5	81	115	15	M14	35	135	15	M14	65	135	118,6
WS5123-0560-30					81						15	M14	65	135	130,3
WS5123-0630-30					81						15	M14	65	135	145,8
WS5123-0710-30					81						15	M14	65	135	165,6
WS5126-0630-30	260	101	8	+ 4,0	96	150	15	M16	40	210	15	M16	70	210	178,1
WS5126-0710-30					96						15	M16	70	210	198,0
WS5130-0710-30	300	118	8	+ 4,0	113	162	15	M20	50	425	15	M20	80	425	233,7
WS5130-0800-30					113						15	M20	80	425	258,8
WS5130-0800-40					113						15	M20	90	425	295,7
WS5136-0800-30	360	130	8	+ 4,0	125	215	12	M24	55	730	12	M24	85	730	337,7
WS5136-0800-40					125						12	M24	95	730	374,0
WS5136-1000-40					125						12	M24	95	730	462,7
WS5140-0800-30	400	130	8	+ 4,0	125	250	14	M24	55	730	14	M24	85	730	355,5
WS5140-0800-40					125						14	M24	95	730	391,8
WS5140-1000-40					125						14	M24	95	730	480,5

To continue see next page

Elastomer Jaw Couplings RINGFEDER® TNS SDDL-5-BS

Explanation

A	= Max. outer diameter	D₂	= Outer diameter hub	d_{be}	= Inner diameter elastic intermediate ring
SB	= Disc width	C₁	= Guided length in hub bore	n_{Sc1}	= Quantity of screws D _{G1}
T_{KN VK60D}	= Nom. coupling torque when using the flexible element VK60D	C₂	= Guided length in hub bore	D_{G1}	= Thread
T_{Kmax VK60D}	= Max. transmittable torque of the coupling when using the flexible element VK60D	C_B	= Brake disc distance	L_{Sc1}	= Length of screw D _{G1}
n_{max}	= Max. rotation speed	L	= Total length	T_{A1}	= Tightened torque of clamping screw D _{G1}
d_{1kmax}	= Max. bore diameter d ₁ with keyway acc. to DIN 6885-1	L₂	= Length on the hub	n_{Sc2}	= Quantity of screws D _{G2}
d_{2kmax}	= Max. bore diameter d ₂ with keyway acc. to DIN 6885-1	L_{DD}	= Distance dimension	D_{G2}	= Thread
D₁	= Outer diameter	E	= Gap width between left and right component	L_{Sc2}	= Length of screw D _{G2}
		F_E	= Tolerance of the gap width E	T_{A2}	= Tightened torque of clamping screw D _{G2}
		EE	= Distance of the hubs	F_{Sc}	= Screw strength class
				GW_{ub}	= Weight, unbored

Ordering example

Identifier	Size	d _{1k}	d _{2k}	Further details
WS5120-0450-30	200	95	95	*

^{*)} Without any other specification, we deliver as a standard: with set screws and keyway acc. to DIN 6885-1, keyway side fit P9, bore tolerance H7

Further information on
RINGFEDER® TNS SDDL-5-BS
 on www.ringfeder.com

Disclaimer of liability

All technical details and notes are non-binding and cannot be used as a basis for legal claims. The user is obligated to determine whether the represented products meet his requirements. We reserve the right carry out modifications at any time in the interests of technical progress.