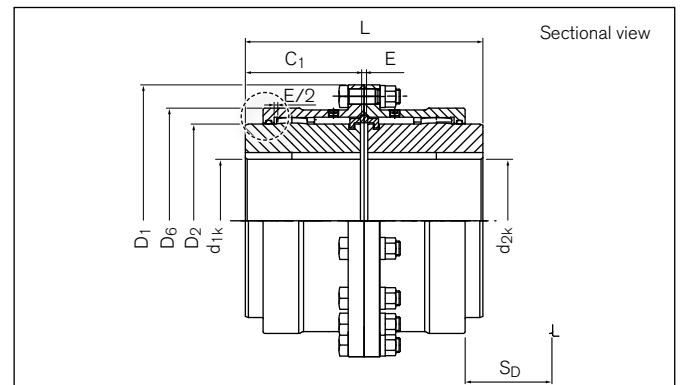
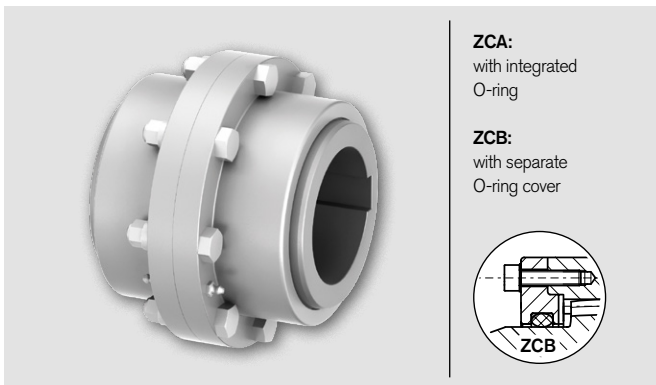


Gear Couplings

RINGFEDER® TNZ ZCAK / TNZ ZCBK

Type with limited end float



Identifier		Size	T _{KN}	T _{Kmax}	n _{max}	d _{1k} min-max	d _{2k} min-max	D ₁	D ₂	D ₆
ZCAK	ZCBK		Nm	Nm	1/min	mm	mm	mm	mm	mm
XC2706	---	69	1750	3500	6000	12 - 50	12 - 50	111	69	81,5
XC2708	---	85	2750	5500	4600	18 - 60	18 - 60	152	85	103,5
XC2710	XC3710	107	5500	11000	4200	28 - 75	28 - 75	178	107	127,5
XC2713	XC3713	133	8500	17000	4000	40 - 95	40 - 95	213	133	156
XC2715	XC3715	152	13500	27000	3850	50 - 110	50 - 110	240	152	181
XC2717	XC3717	179	22000	44000	3700	60 - 130	60 - 130	280	179	209
XC2720	XC3720	209	35000	70000	3200	70 - 155	70 - 155	318	209	245,5
XC2723	XC3723	234	43000	86000	2900	85 - 170	85 - 170	346	234	274
XC2725	XC3725	254	68000	136000	2600	95 - 190	95 - 190	389	254	307
XC2727	XC3727	279	82000	164000	2300	110 - 210	110 - 210	425	279	334,5
XC2730	XC3730	305	150000	300000	2100	120 - 230	120 - 230	457	305	366
XC2735	XC3735	355	195000	390000	1800	130 - 270	130 - 270	527	355	423

Limited end float adjustable depends on coupling size

Identifier		Size	C ₁	E	L	S _D	J	V _{GR}	G _{Wsb}
ZCAK	ZCBK		mm	mm	mm	mm	10 ⁻³ kgm ²	dm ³	kg
XC2706	---	69	43	3	89	30	4	2 x 0,035	4,0
XC2708	---	85	50	3	103	37	18	2 x 0,040	8,4
XC2710	XC3710	107	62	3	127	48	40	2 x 0,065	14,1
XC2713	XC3713	133	76	5	157	56	102	2 x 0,110	24,8
XC2715	XC3715	152	90	5	185	70	187	2 x 0,190	36,4
XC2717	XC3717	179	105	6	216	79	407	2 x 0,290	58,0
XC2720	XC3720	209	120	6	245	92	801	2 x 0,375	87,0
XC2723	XC3723	234	135	8	278	103	1248	2 x 0,625	113,7
XC2725	XC3725	254	150	8	308	120	2370	2 x 0,960	163,1
XC2727	XC3727	279	175	8	358	136	3638	2 x 1,335	215,4
XC2730	XC3730	305	190	8	388	148	4830	2 x 1,665	261,5
XC2735	XC3735	355	220	10	450	174	10022	2 x 2,500	409,2

- Examine the load capacity of the shaft-hub connection
- Hubs pilot bored, bore diameter 2 mm smaller than smallest finish bore diameter

To continue see next page

Gear Couplings RINGFEDER® TNZ ZCAK / TNZ ZCBK

Explanation

T_{KN}	= Nom. Transmissible torque	D₁	= Outer diameter	S_D	= Disassembly Space
T_{Kmax}	= Max. transmissible torque of the coupling	D₂	= Outer diameter hub	J	= Total moment of inertia
n_{max}	= Max. rotation speed	D₆	= Diameter	V_{GR}	= Grease volume
d_{1kmin}; d_{2kmin}	= Min. bore diameter d ₁ /d ₂ with keyway acc. to DIN 6885-1	C₁	= Guided length in hub bore	G_{wsb}	= Weight at smallest bore diameter
d_{1kmax}; d_{2kmax}	= Max. bore diameter d ₁ /d ₂ with keyway acc. to DIN 6885-1	E	= Gap width between left and right component		
		L	= Total length		

Ordering example

Identifier	Size	d _{1k}	d _{2k}	Further details
XC2720	209	155	155	*

¹⁾ Without any other specification, we deliver as a standard: keyway acc. to DIN 6885-1, keyway side fit P9, bore tolerance H7; optional with set screw

Further information on
RINGFEDER® TNZ ZCAK / TNZ ZCBK
 on www.ringfeder.com

Disclaimer of liability

All technical details and notes are non-binding and cannot be used as a basis for legal claims. The user is obligated to determine whether the represented products meet his requirements. We reserve the right carry out modifications at any time in the interests of technical progress.