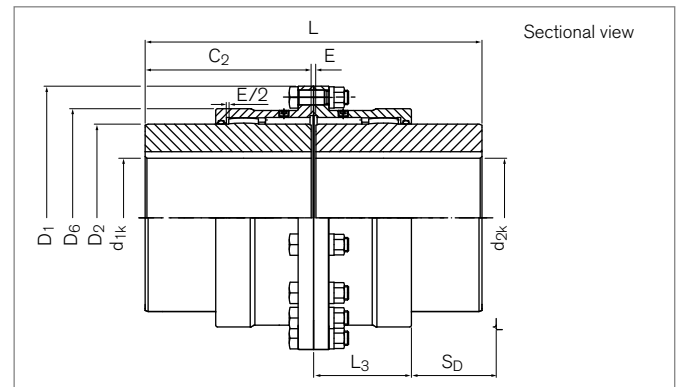
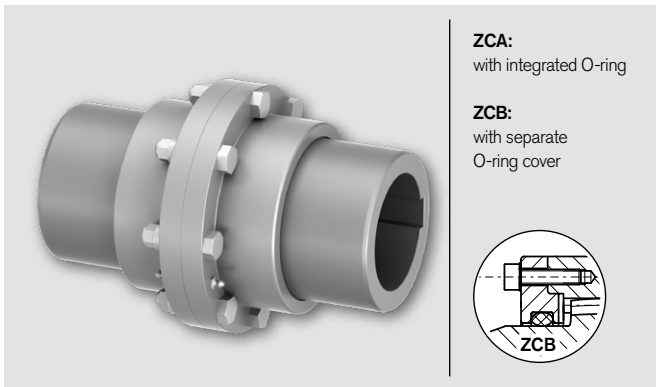


# Gear Couplings

## RINGFEDER®

### TNZ ZCAUU / TNZ ZCBUU

#### Extended universal hubs



Identifier		Size	$T_{KN}$	$T_{Kmax}$	$n_{max}$	$d_{1k}$ min-max	$d_{2k}$ min-max	$D_1$	$D_2$	$D_6$	$C_2$
ZCAUU	ZCBUU		Nm	Nm	1/min	mm	mm	mm	mm	mm	mm
XC2306	---	69	1750	3500	6000	12 - 50	12 - 50	111	69	81,5	105
XC2308	---	85	2750	5500	4600	18 - 60	18 - 60	152	85	103,5	115
XC2310	XC3310	107	5500	11000	4200	28 - 75	28 - 75	178	107	127,5	130
XC2313	XC3313	133	8500	17000	4000	40 - 95	40 - 95	213	133	156	150
XC2315	XC3315	152	13500	27000	3850	50 - 110	50 - 110	240	152	181	170
XC2317	XC3317	179	22000	44000	3700	60 - 130	60 - 130	280	179	209	185
XC2320	XC3320	209	35000	70000	3200	70 - 155	70 - 155	318	209	245,5	215
XC2323	XC3323	234	43000	86000	2900	85 - 170	85 - 170	346	234	274	245
XC2325	XC3325	254	68000	136000	2600	95 - 190	95 - 190	389	254	307	295
XC2327	XC3327	279	82000	164000	2300	110 - 210	110 - 210	425	279	334,5	300
XC2330	XC3330	305	150000	300000	2100	120 - 230	120 - 230	457	305	366	305
XC2335	XC3335	355	195000	390000	1800	130 - 270	130 - 270	527	355	423	310

To continue see next page

## Gear Couplings RINGFEDER® TNZ ZCAUU / TNZ ZCBUU

Identifier		Size	E	L	L <sub>3</sub>	S <sub>D</sub>	ΔK <sub>r</sub>	ΔK <sub>w</sub>	J	V <sub>GR</sub>	G <sub>Wsb</sub>
ZCAUU	ZCBUU		mm	mm	mm	mm	mm		10 <sup>-3</sup> kgm <sup>2</sup>	dm <sup>3</sup>	kg
XC2306	---	69	3	213	39	80	0,42	2 x 0,5	6	0,07	7,5
XC2308	---	85	3	233	46	83	0,51	2 x 0,5	23	0,08	14,0
XC2310	XC3310	107	3	263	59	85	0,66	2 x 0,5	54	0,13	23,1
XC2313	XC3313	133	5	305	69	100	0,77	2 x 0,5	137	0,22	39,8
XC2315	XC3315	152	5	345	83	106	0,99	2 x 0,5	252	0,38	57,1
XC2317	XC3317	179	6	376	93	115	1,15	2 x 0,5	530	0,58	86,0
XC2320	XC3320	209	6	436	106	132	1,33	2 x 0,5	1077	0,75	133,1
XC2323	XC3323	234	8	498	118	151	1,5	2 x 0,5	1748	1,25	179,1
XC2325	XC3325	254	8	598	138	181	1,75	2 x 0,5	3283	1,92	263,7
XC2327	XC3327	279	8	608	154	185	1,99	2 x 0,5	4780	2,67	318,1
XC2330	XC3330	305	8	618	166	178	2,13	2 x 0,5	6329	3,33	374,4
XC2335	XC3335	355	10	630	193	174	2,55	2 x 0,5	12186	5	531,4

- Examine the load capacity of the shaft-hub connection
- Hubs pilot bored, bore diameter 2 mm smaller than smallest finish bore diameter

### Explanation

<b>T<sub>KN</sub></b>	= Nom. Transmissible torque	<b>D<sub>1</sub></b>	= Outer diameter	<b>L<sub>3</sub></b>	= Length
<b>T<sub>Kmax</sub></b>	= Max. transmissible torque of the coupling	<b>D<sub>2</sub></b>	= Outer diameter hub	<b>S<sub>D</sub></b>	= Disassembly Space
<b>n<sub>max</sub></b>	= Max. rotation speed	<b>D<sub>6</sub></b>	= Diameter	<b>ΔK<sub>r</sub></b>	= Max. permissible radial misalignment
<b>d<sub>1kmin</sub>; d<sub>2kmin</sub></b>	= Min. bore diameter d <sub>1</sub> /d <sub>2</sub> with keyway acc. to DIN 6885-1	<b>C<sub>2</sub></b>	= Guided length in hub bore	<b>ΔK<sub>w</sub></b>	= Max. permissible angular misalignment
<b>d<sub>1kmax</sub>; d<sub>2kmax</sub></b>	= Max. bore diameter d <sub>1</sub> /d <sub>2</sub> with keyway acc. to DIN 6885-1	<b>E</b>	= Gap width between left and right component	<b>J</b>	= Total moment of inertia
		<b>L</b>	= Total length	<b>V<sub>GR</sub></b>	= Grease volume
				<b>G<sub>Wsb</sub></b>	= Weight at smallest bore diameter

### Ordering example

Identifier	Size	d <sub>1k</sub>	d <sub>2k</sub>	Further details
XC2325	254	150	180	*

<sup>\*)</sup> Without any other specification, we deliver as a standard: keyway acc. to DIN 6885-1, keyway side fit P9, bore tolerance H7; optional with set screw

Further information on  
**RINGFEDER® TNZ ZCAUU / TNZ ZCBUU**  
 on [www.ringfeder.com](http://www.ringfeder.com)

#### Disclaimer of liability

All technical details and notes are non-binding and cannot be used as a basis for legal claims. The user is obligated to determine whether the represented products meet his requirements. We reserve the right carry out modifications at any time in the interests of technical progress.