

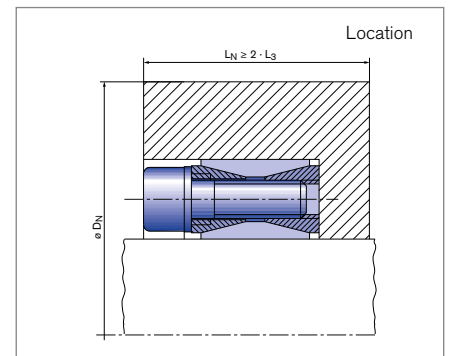
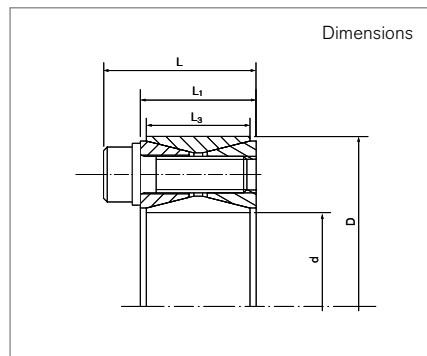
Locking Assemblies

RINGFEDER® RfN 7012 stainless steel

Large transmittable forces and moments



self-centering **without axial displacement** with low surface pressure



Locking Assembly dimensions						Transmissible torques or axial forces		Surface pressure		Locking Screws					D _{N min} at R _{p0.2}			
d	d	x	D	L	L ₁	L ₃	T	F _{ax}	Shaft PW	Hub PN	n _{Sc}	D _G	SW	T _A	G _w	200	300	400
inch	inch	inch	inch	inch	inch	inch	ft-lbs	lbs	psi				mm	ft-lbs	lbs	[N/mm ²]		
																inch		
0.750	3/4	x	1850	0.787	1083	0.669	185	5920	28450	11500	8	M6 x 18	5	6	0.5	2404	2278	2149
1.000	1	x	1969	0.787	1083	0.669	275	6600	27000	13700	9	M6 x 18	5	6	0.6	2697	2525	2355
1.125	1 1/8	x	2165	0.787	1083	0.669	345	7360	23720	12300	10	M6 x 18	5	6	0.7	2868	2705	2542
1.1875	1 3/16	x	2159	0.813	1108	0.669	362	7316	24900	13700	10	M6 x 18	5	6	0.7	2956	2768	2581
1.250	1 1/4	x	2362	0.787	1083	0.669	459	8813	28000	14800	12	M6 x 18	5	6	0.7	3325	3093	2866
1.375	1 3/8	x	2365	0.776	1071	0.669	506	8832	25600	14900	12	M6 x 18	5	6	0.7	3335	3101	2873
1.4375	1 7/16	x	2559	0.787	1083	0.669	608	10151	28450	16000	15	M6 x 18	5	6	0.8	3710	3427	3155
1.500	1 1/2	x	2559	0.787	1083	0.669	636	10176	27000	15800	15	M6 x 18	5	6	0.8	3695	3417	3148
1.625	1 5/8	x	2953	0.945	1319	0.787	1070	15803	32700	18000	12	M8 x 22	6	10	1.3	4510	4114	3741
1.6875	1 11/16	x	2953	0.945	1319	0.787	1109	15772	28430	16200	12	M8 x 22	6	10	1.3	4310	3975	3653
1.750	1 3/4	x	2953	0.945	1319	0.787	1150	15771	30000	17800	12	M8 x 22	6	10	1.3	4484	4096	3730
1.875	1 7/8	x	3150	0.945	1319	0.787	1222	15642	28450	16900	12	M8 x 22	6	10	1.4	4679	4298	3933
1.9375	1 15/16	x	3150	0.945	1319	0.787	1259	15595	27000	16600	12	M8 x 22	6	10	1.4	4640	4270	3916
2.000	2	x	3346	0.945	1319	0.787	1519	18228	30600	18300	14	M8 x 22	6	10	1.4	5151	4689	4256
2.125	2 1/8	x	3346	0.945	1319	0.787	1613	18217	29150	18500	14	M8 x 22	6	10	1.4	5181	4710	4269
2.1875	2 3/16	x	3543	0.945	1319	0.787	1656	18169	28450	17600	14	M8 x 22	6	10	1.5	5350	4894	4462
2.250	2 1/4	x	3543	0.945	1319	0.787	1700	18133	27000	17100	14	M8 x 22	6	10	1.5	5292	4854	4437
2.375	2 3/8	x	3531	0.996	1370	0.787	1787	18058	25600	17200	14	M8 x 22	6	10	1.5	5284	4844	4426
2.4375	2 7/16	x	3740	0.945	1319	0.787	2098	20657	28450	18500	16	M8 x 22	6	10	1.6	5796	5267	4773
2.500	2 1/2	x	3740	0.945	1319	0.787	2148	20621	27750	18500	16	M8 x 22	6	10	1.6	5797	5268	4774
2.5625	2 9/16	x	3737	0.959	1333	0.787	2199	20596	27000	18500	16	M8 x 22	6	10	1.6	5787	5260	4768
2.625	2 5/8	x	4331	1102	1555	0.945	3120	28526	30514	18500	14	M10 x 25	8	19	2.8	6703	6094	5524
2.6875	2 11/16	x	4331	1102	1555	0.945	3195	28532	29804	18500	14	M10 x 25	8	19	2.8	6703	6094	5524
2.750	2 3/4	x	4337	1079	1532	0.945	3320	28975	29850	18900	14	M10 x 25	8	19	2.8	6791	6155	5565
2.875	2 7/8	x	4528	1102	1555	0.945	3450	28800	28450	18000	14	M10 x 25	8	19	2.9	6928	6317	5742
2.9375	2 15/16	x	4528	1102	1555	0.945	3522	28775	27750	18000	14	M10 x 25	8	19	2.9	6917	6309	5737

To continue see next page
More sizes on request

Locking Assemblies RINGFEDER® RfN 7012 stainless steel

Explanation

d = Inner diameter (decimal notation)	T = Transmissible torque at given T_A	SW = Wrench size
d = Inner diameter	F_{ax} = Transmissible axial force	T_A = Tightening torque of the clamping screws
D = Outer diameter	p_W = Surface pressure on shaft at given T_A	G_w = Weight
L = Overall length	p_N = Surface pressure on hub at given T_A	D_{N min} = Min. hub outer diameter depending of the given hub yield point $R_{p0,2}$
L₁ = Overall length (without screws)	n_{Sc} = Quantity of screws	
L₃ = Width of ring	D_G = Thread	

Technical Information

- The Locking Assemblies are supplied slightly oiled and ready to use. The values for T , F_{ax} , p_W and p_N apply to Locking Assemblies in delivery condition.
- Surface finishes: For shaft and hub bore $R_a \leq 3,2 \mu m$
- Tolerances: Shaft: k9-h9 · Hub: N9-H9
Max. permissible: Shaft: k11-h11; Hub: N11-H11
- To avoid excessive deformations of the relatively thickwalled thrust rings, the Locking Assembly should be located as symmetrically as possible between shaft and hub bore. If the shaft is smaller than nominal d , the bore should exceed nominal D to the same extent and vice versa. The concentricity quality is determined by the direct centering between shaft and hub.
- If several Locking Assemblies are to be installed the transmission values of the table can be added when the Locking Assemblies are located within a distance of $4 \cdot L$.
- The Locking Assemblies are generally equipped with screws of quality A4 BUMAX 109. A reduction of the screw tightening torque is possible. Please contact our specialists for assistance.
- To facilitate removal, the front thrust rings have auxiliary threads.
- The outside diameter of the hub is calculated with factor $C3 = 0.6$. (see chapter "Calculation" in Product Paper & Tech Paper "RINGFEDER® Locking Assemblies").

Ordering example

Locking Assembly	d	D	Further details
RfN 7012 stainless steel	2.750	4.337	SST (=stainless steel)

Further information on
RINGFEDER® RfN 7012 stainless steel
 on www.ringfeder.com

Disclaimer of liability

All technical details and notes are non-binding and cannot be used as a basis for legal claims. The user is obligated to determine whether the represented products meet his requirements. We reserve the right carry out modifications at any time in the interests of technical progress.