

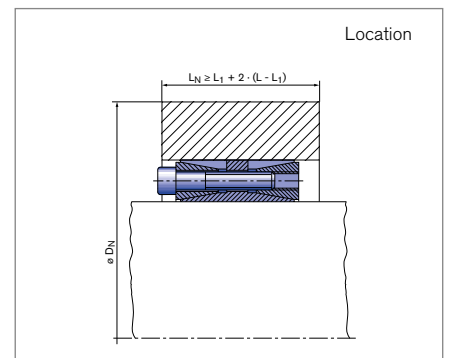
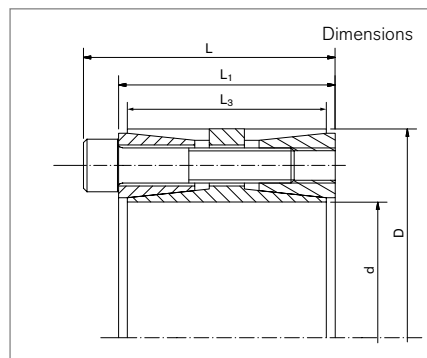
Locking Assemblies

RINGFEDER® RfN 7015.0

Transfer of greatest bending moments possible,
greatest torque and/or axial forces,
excellent concentricity possible



self-centering without axial displacement with low surface pressure



Locking Assembly dimensions				Transmissible torques or axial forces		Surface pressure		Locking screws			D _N min at R _{p0,2}			T _{max}			
d	x	D	L	L ₁	L ₃	T	F _{ax}	Shaft Pw	Hub PN	n _{Sc}	D _G	T _A	Gw		200	300	400
mm				mm			Nm	kN	N/mm ²			Nm	kg	[N/mm ²]			Nm
100	x	145	77	65	60	14244	285	198	136	10	M12 x 55	145	4,1	287	218	198	16757
110	x	155	77	65	60	15668	285	180	127	10	M12 x 55	145	4,4	283	225	206	18433
120	x	165	77	65	60	20511	342	198	144	12	M12 x 55	145	4,8	354	256	230	24130
130	x	180	86	74	68	27775	427	197	142	15	M12 x 60	145	6,5	390	280	251	32676
140	x	190	86	74	68	35894	513	220	162	18	M12 x 60	145	7	---	327	283	42228
150	x	200	86	74	68	38458	513	205	154	18	M12 x 60	145	7,4	---	329	289	45244
160	x	210	86	74	68	47858	598	224	171	21	M12 x 60	145	7,8	---	380	322	56304
170	x	225	95	81	75	59620	701	222	168	18	M14 x 65	230	10	---	399	341	70141
180	x	235	95	81	75	63127	701	210	161	18	M14 x 65	230	10,6	---	400	347	74267
190	x	250	108	94	88	74038	779	186	141	20	M14 x 75	230	14,3	562	394	352	87104
200	x	260	108	94	88	93522	935	211	163	24	M14 x 75	230	15	---	461	394	110026
220	x	285	120	104	98	105616	960	189	146	18	M16 x 90	355	19,8	693	462	408	124254
240	x	305	120	104	98	153624	1280	231	182	24	M16 x 90	355	21,4	---	621	499	180734
260	x	325	120	104	98	173360	1334	222	178	25	M16 x 90	355	23	---	641	523	203953
280	x	355	144	126	120	216499	1546	200	158	24	M18 x 110	485	35,2	---	626	536	254705
300	x	375	144	126	120	241629	1611	195	156	25	M18 x 110	485	37,4	---	652	561	284269
320	x	405	162	142	135	333337	2083	199	157	25	M20 x 120	690	51,3	---	711	609	392161
340	x	425	162	142	135	354170	2083	187	150	25	M20 x 120	690	54,1	---	714	623	416671
360	x	455	187	165	158	463312	2574	186	147	25	M22 x 130	930	75,4	---	761	665	545073
380	x	475	187	165	158	489052	2574	176	141	25	M22 x 130	930	79	1149	768	679	575355
400	x	495	187	165	158	514791	2574	167	135	25	M22 x 130	930	82,8	1100	777	694	605637
420	x	515	187	165	158	648637	3089	191	156	30	M22 x 130	930	86,5	---	907	777	763102
440	x	545	204	180	172	799628	3635	192	155	30	M24 x 150	1200	110	---	954	819	940738
460	x	565	204	180	172	835974	3635	184	150	30	M24 x 150	1200	114	---	957	832	983499

To continue see next page

Locking Assemblies RINGFEDER® RfN 7015.0

Locking Assembly dimensions						Transmissible torques or axial forces		Surface pressure		Locking screws				D _{N min} at Rp _{0,2}			T _{max} Nm
d	x	D	L	L ₁	L ₃	T	F _{ax}	Shaft p _w	Hub p _N	n _{Sc}	D _G	T _A	G _w	200	300	400	
mm			mm			Nm	kN	N/mm ²				Nm	kg	[N/mm ²]			
480	x	585	204	180	172	930476	3877	188	154	32	M24 x 150	1200	119	---	1018	876	1094677
500	x	605	204	180	172	969246	3877	181	149	32	M24 x 150	1200	123	---	1022	889	1140289
520	x	630	227	200	190	1127063	4335	173	143	30	M27 x 160	1600	148	1547	1023	903	1325956
540	x	650	227	200	190	1170411	4335	167	139	30	M27 x 160	1600	154	1490	1031	918	1376955
560	x	670	227	200	190	1213760	4335	161	135	30	M27 x 160	1600	160	1451	1041	933	1427951
580	x	690	227	200	190	1257109	4335	155	131	30	M27 x 160	1600	165	1424	1053	949	1478951
600	x	710	227	200	190	1387154	4624	160	135	32	M27 x 160	1600	170	1555	1108	992	1631946
620	x	730	227	200	190	1433393	4624	155	132	32	M27 x 160	1600	177	1526	1119	1008	1686345
640	x	750	227	200	190	1618347	5057	164	140	35	M27 x 160	1600	182	1759	1199	1064	1903937
660	x	770	227	200	190	1668920	5057	159	137	35	M27 x 160	1600	187	1713	1209	1080	1963435
680	x	790	227	200	190	1768622	5202	159	137	36	M27 x 160	1600	193	1766	1242	1109	2080732
700	x	810	227	200	190	1820640	5202	155	134	36	M27 x 160	1600	198	1732	1253	1125	2141930
720	x	830	227	200	190	2080732	5780	167	145	40	M27 x 160	1600	204	---	1359	1196	2447919
740	x	850	227	200	190	2138530	5780	162	141	40	M27 x 160	1600	209	2030	1367	1211	2515917
760	x	870	227	200	190	2196328	5780	158	138	40	M27 x 160	1600	215	1979	1376	1226	2583915
780	x	890	227	200	190	2254126	5780	154	135	40	M27 x 160	1600	220	1940	1386	1242	2651913
800	x	910	227	200	190	2427520	6069	158	139	42	M27 x 160	1600	225	2086	1443	1285	2855906

More sizes on request

Explanation

d = Inner diameter	F_{ax} = Transmissible axial force	T_A = Tightening torque of the clamping screws
D = Outer diameter	p_w = Surface pressure on shaft at given T _A	G_w = Weight
L = Overall length	p_N = Surface pressure on hub at given T _A	D_{N min} = Min. hub outer diam. depending of the given hub yield point Rp _{0,2}
L₁ = Overall length (without screws)	n_{Sc} = Quantity of screws	T_{max} = Max. transmissible torque
L₃ = Width of ring	D_G = Thread	
T = Transmissible torque at given T _A		

Ordering example

Locking assembly	d	D
RfN 7015.0	150	200

Technical Information

- The values for T, F_{ax}, p_w and p_N apply to Locking Assemblies installed in oiled condition.
- Surface finishes: Shaft and hub bores R_a ≤ 3,2 μm
- Tolerances: Shaft: h8 · Hub: H8
- Max. two Locking Assemblies can be used in series, the transmissible torques and axial forces are added.
- A reduction of the contact pressures and the transmission values by reducing the tightening torque of the screws is possible. Please contact our specialists for assistance.

Further information on
RINGFEDER® RfN 7015.0
on www.ringfeder.com

Disclaimer of liability

All technical details and notes are non-binding and cannot be used as a basis for legal claims. The user is obligated to determine whether the represented products meet his requirements. We reserve the right carry out modifications at any time in the interests of technical progress.