

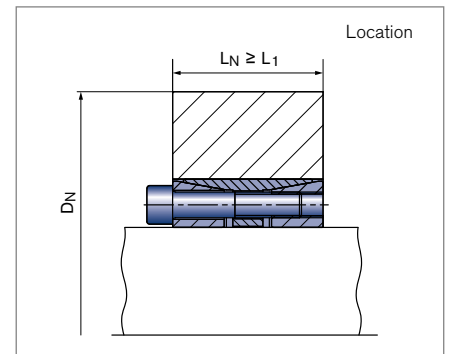
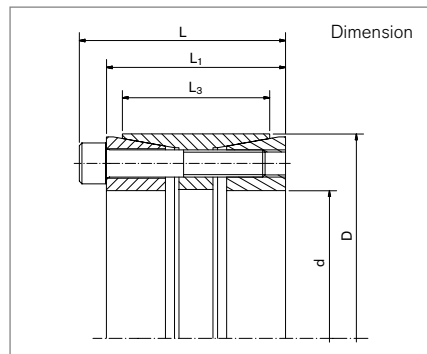
Locking Assemblies

RINGFEDER® RfN 7515

Three piece Locking Assembly



self-centering without axial displacement with low surface pressure



Locking Assembly dimensions				Transmissible torques or axial forces		Surface pressure		Locking screws			DN min at Rp0,2					
d	x	D	L	L ₁	L ₃	T	F _{ax}	Shaft Pw	Hub PN	n _{Sc}	D _G	T _A	Gw	200	300	400
mm			mm			Nm	kN	N/mm ²				Nm	kg	[N/mm ²]		
														mm		
60	x	95	58	50	42	4299	143	186	118	9	M8 x 40	41	1,5	138	122	115
70	x	110	70	60	50	7280	208	197	125	8	M10 x 50	83	2,7	164	143	134
80	x	120	70	60	50	10399	260	216	144	10	M10 x 50	83	2,7	191	162	150
90	x	130	70	60	50	12869	286	211	146	11	M10 x 50	83	2,9	209	177	163
100	x	145	82	70	60	18881	378	209	144	10	M12 x 60	145	4,3	231	196	182
110	x	155	82	70	60	20769	378	190	135	10	M12 x 60	145	4,7	239	205	191
120	x	165	82	70	60	24923	415	191	139	11	M12 x 60	145	5,0	258	221	205
130	x	180	91	79	65	34364	529	207	150	14	M12 x 70	145	6,6	293	246	227
140	x	190	91	79	65	39651	566	206	152	15	M12 x 70	145	7,0	312	261	241
150	x	200	91	79	65	42483	566	193	144	15	M12 x 70	145	7,1	319	270	250
160	x	210	91	79	65	48336	604	193	147	16	M12 x 70	145	7,9	338	285	264
170	x	225	106	92	78	65790	774	195	147	15	M14 x 80	230	11,1	362	306	283
180	x	235	106	92	78	69660	774	184	141	15	M14 x 80	230	11,6	370	315	292
190	x	250	116	102	88	78432	826	165	125	16	M14 x 80	230	14,8	372	324	303
200	x	260	116	102	88	92880	929	176	135	18	M14 x 80	230	15,4	401	344	320
220	x	285	126	110	96	116459	1059	173	133	15	M16 x 90	355	19,7	436	375	350
240	x	305	124	108	96	169394	1412	211	166	20	M16 x 90	355	21,2	528	432	394
260	x	325	127	111	96	183510	1412	176	141	20	M16 x 90	355	22,9	510	435	404
280	x	355	131	111	96	230199	1644	205	162	15	M20 x 90	690	28,9	604	497	456
300	x	375	131	111	96	263085	1754	204	163	16	M20 x 90	690	30,6	642	527	482
320	x	405	156	136	124	350780	2192	189	150	20	M20 x 110	690	46,3	658	552	510
340	x	425	156	136	124	372704	2192	178	143	20	M20 x 110	690	48,9	672	571	529
360	x	455	177	155	140	487557	2709	174	137	20	M22 x 130	930	67,5	706	604	562
380	x	475	177	155	140	514644	2709	164	132	20	M22 x 130	930	69,5	722	623	581
400	x	495	177	155	140	595903	2980	172	139	22	M22 x 130	930	72,7	772	659	612
420	x	515	177	155	140	682580	3250	179	146	24	M22 x 130	930	75,9	824	696	644

To continue see next page

Locking Assemblies RINGFEDER® RfN 7515

Locking Assembly dimensions						Transmissible torques or axial forces		Surface pressure		Locking screws			D _{N min} at Rp _{0,2}			
d	x	D	L	L ₁	L ₃	T	F _{ax}	Shaft p _w	Hub p _N	n _{Sc}	D _G	T _A	G _w	200	300	400
mm			mm			Nm	kN	N/mm ²				Nm	kg	[N/mm ²]		
mm																
440	x	535	177	155	140	715084	3250	170	140	24	M22 x 130	930	79,2	839	715	663
460	x	555	177	155	140	747588	3250	163	135	24	M22 x 130	930	83,0	854	733	683
480	x	575	177	155	140	812595	3386	163	136	25	M22 x 130	930	86,0	887	761	708
500	x	595	177	155	140	846453	3386	156	131	25	M22 x 130	930	90,0	903	779	727
520	x	615	177	155	140	985949	3792	168	142	28	M22 x 130	930	93,0	971	825	765
540	x	635	177	155	140	1023870	3792	162	138	28	M22 x 130	930	96,0	986	844	784
560	x	655	177	155	140	1137633	4063	167	143	30	M22 x 130	930	98,7	1037	880	816
580	x	675	177	155	140	1178263	4063	162	139	30	M22 x 130	930	102,0	1053	899	835
600	x	695	177	155	140	1218893	4063	156	135	30	M22 x 130	930	108,0	1068	917	854
620	x	715	177	155	140	1259522	4063	151	131	30	M22 x 130	930	112,0	1084	936	874
640	x	735	177	155	140	1300152	4063	146	128	30	M22 x 130	930	112,0	1101	955	893

More sizes on request

Explanation

d = Inner diameter	F_{ax} = Transmissible axial force	G_w = Weight
D = Outer diameter	p_w = Surface pressure on shaft at given T _A	D_{N min} = Min. hub outer diameter depending of the given hub yield point Rp _{0,2}
L = Overall length	p_N = Surface pressure on hub at given T _A	
L₁ = Overall length (without screws)	n_{Sc} = Quantity of screws	
L₃ = Width of ring	D_G = Thread	
T = Transmissible torque at given T _A	T_A = Tightening torque of the clamping screws	

Ordering example

Locking Assembly	d	D
RfN 7515	150	200

Technical Information

- The values for T, F_{ax}, p_w and p_N apply to Locking Assemblies installed in oiled condition.
- Surface finishes: Shaft bore R_a ≤ 1,6 μm · Hub bore R_a ≤ 3,2 μm
- Tolerances: Shaft: h8 · Hub: H8
- The outside diameter of the hub is calculated with factor C3 = 0.6. (see chapter „Calculation“ in Product Paper & Tech Paper „RINGFEDER® Locking Assemblies“).
- A reduction of the contact pressures and the transmission values by reducing the tightening torque of the screws is possible. Please contact our specialists for assistance.

Further information on RINGFEDER® RfN 7515 on www.ringfeder.com

Disclaimer of liability

All technical details and notes are non-binding and cannot be used as a basis for legal claims. The user is obligated to determine whether the represented products meet his requirements. We reserve the right carry out modifications at any time in the interests of technical progress.